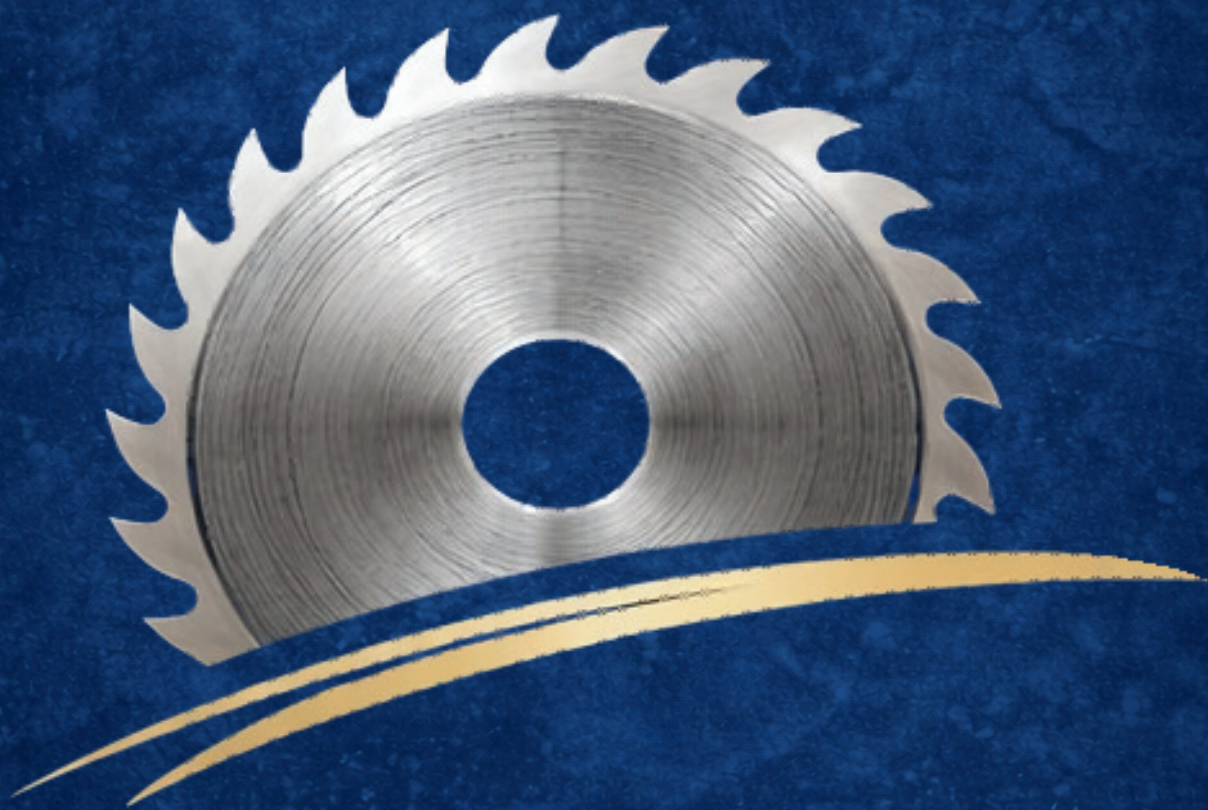



INNOVATION

MILLWORK



VOLUME 1
2026 MOULDING CATALOG

Quality You Expect. Service You Deserve.

 631-378-3400

 [INNOVATIONMILLWORK.NET](https://www.innovationmillwork.net)

 INNOVATIONMILLWORKPRODUCTS

 INNOVATIONMILLWORK

 521 COMMACK ROAD, DEER PARK, NY 11729

EXCEPTIONAL MILLWORK PRODUCTS SERVING MONTAUK TO MANHATTAN

INNOVATION MILLWORK PRODUCTS WAS BUILT ON EXPERIENCE, RELIABILITY, AND RESPECT FOR THE CUSTOMER. WITH OVER 50 YEARS IN THE MOULDING BUSINESS, WE UNDERSTAND WHAT PROFESSIONALS NEED TO RUN EFFICIENT, PROFITABLE OPERATIONS. OUR FOCUS IS SIMPLE: DEPENDABLE QUALITY, STRONG INVENTORY, RESPONSIVE SERVICE, AND DELIVERY YOU CAN COUNT ON EVERY DAY.

A RETURN TO CUSTOMER APPRECIATION

AS LARGE CORPORATE BUYOUTS AND CONSOLIDATION HAVE RESHAPED THE INDUSTRY, PERSONAL SERVICE AND ACCOUNTABILITY HAVE OFTEN BEEN LOST. INNOVATION MILLWORK PRODUCTS WAS CREATED TO BE DIFFERENT. WE BELIEVE IN DOING BUSINESS THE RIGHT WAY BY KNOWING OUR CUSTOMERS, STANDING BEHIND WHAT WE SUPPLY, AND VALUING LONG-TERM RELATIONSHIPS OVER SHORT-TERM VOLUME.

INVENTORY THAT KEEPS JOBS MOVING

BACKORDERS DELAY PROJECTS AND COST MONEY. THAT'S WHY WE MAINTAIN A LARGE, IN-STOCK INVENTORY DESIGNED TO SUPPORT CONSISTENT AVAILABILITY AND MINIMIZE DISRUPTIONS IN THE FIELD.

DELIVERY BUILT AROUND YOUR SCHEDULE

WE OFFER NEXT DAY DELIVERY, WITH SAME DAY DELIVERY AVAILABLE WHEN NEEDED, TO HELP CREWS STAY PRODUCTIVE AND JOBS STAY ON SCHEDULE. OUR PROFESSIONAL DELIVERY FLEET REPRESENTS OUR COMPANY THE SAME WAY YOU REPRESENT YOURS, RELIABLY AND RESPECTFULLY.

OUR COMMITMENT

YOUR REPUTATION DEPENDS ON THE MATERIALS YOU INSTALL AND THE SUPPLIERS YOU RELY ON. WE TAKE THAT RESPONSIBILITY SERIOUSLY BY DELIVERING QUALITY PRODUCTS, RELIABLE AVAILABILITY, AND PROFESSIONAL, FRIENDLY SERVICE EVERY TIME.

CONTACT US AND REQUEST A QUOTE TODAY

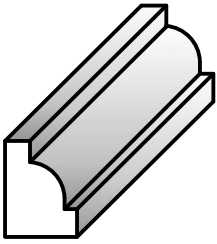
631-378-3400
INNOVATIONMILLWORK.NET
521 COMMACK ROAD,
DEER PARK, NY 11729

INDEX

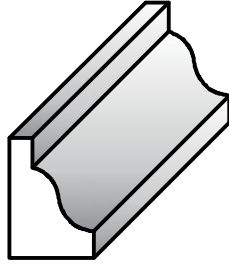


<u>SHOE</u> -----	<u>1</u>
<u>BASES</u> -----	<u>1-5</u>
<u>BASE CAPS</u> -----	<u>6</u>
<u>CASINGS</u> -----	<u>7-12</u>
<u>BACK BANDS</u> -----	<u>13</u>
<u>SILLS & STOOLS</u> -----	<u>14-15</u>
<u>CHAIR RAILS</u> -----	<u>16</u>
<u>ASTRAGALS</u> -----	<u>17</u>
<u>DOOR STOPS</u> -----	<u>17</u>
<u>PANEL MOULDINGS</u> -----	<u>18</u>
<u>CROWNS</u> -----	<u>19-29</u>
<u>CROWNS HEIGHT AND PROJECTION</u> -----	<u>30</u>
<u>SOLID CROWNS</u> -----	<u>31</u>
<u>SHIPLAPS</u> -----	<u>32</u>
<u>TONGUE & GROOVES</u> -----	<u>33</u>
<u>FLATSTOCK & SHEET GOODS</u> -----	<u>34</u>
<u>GARDEN STATE LUMBER</u> -----	<u>35</u>
<u>FLEX MOULDINGS</u> -----	<u>36</u>

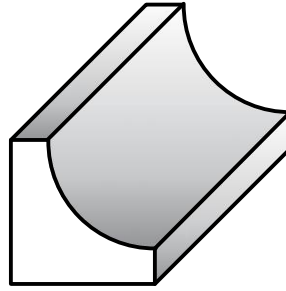
SHOES



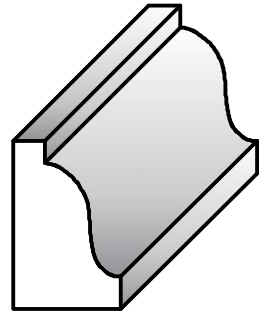
IM S01
3/8" x 1/2" ▽



IM S02
7/16" x 5/8" ▽

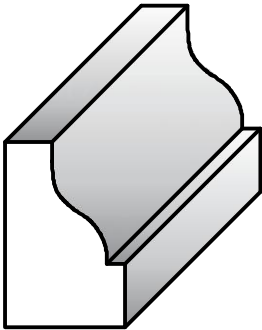


IM S03
3/4" x 3/4" ○

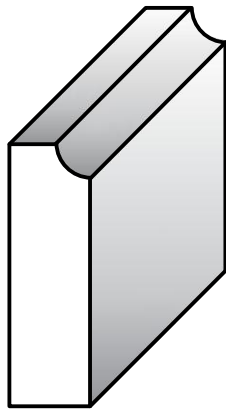


IM S04
9/16" x 7/8" ▽

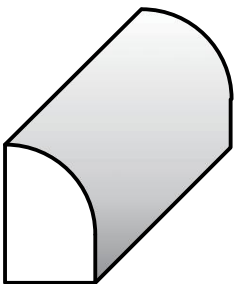
BASES



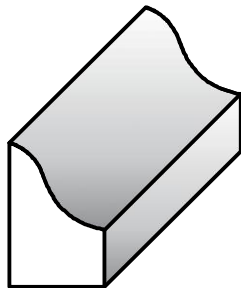
IM S05
5/8" x 1" ▽ □



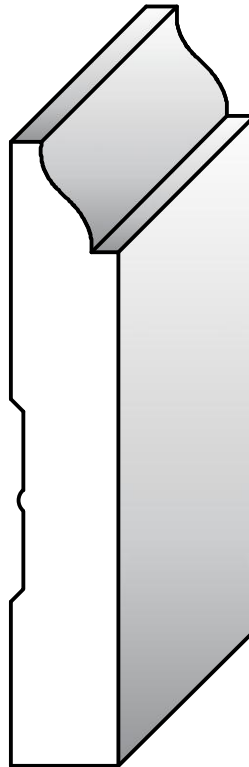
IM S06
7/16" x 1-3/8" ▽



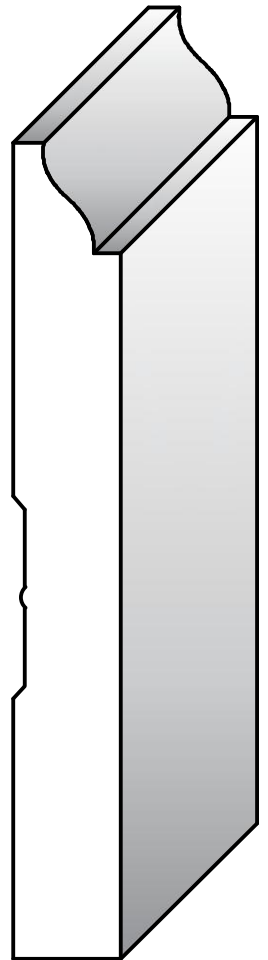
GS 8422
1/2" x 3/4" ○



GS 8423
1/2" x 3/4" ○

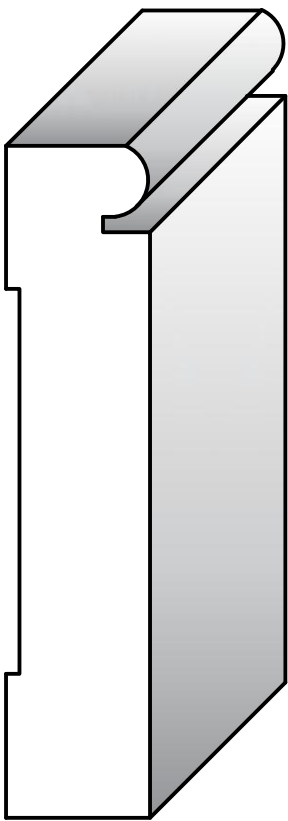


IM B01-3
9/16" x 3-1/4" ○



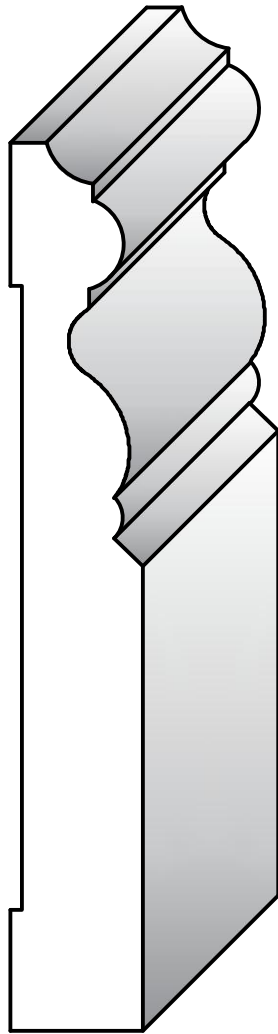
IM B01-4
9/16" x 4-1/4" ○

BASES



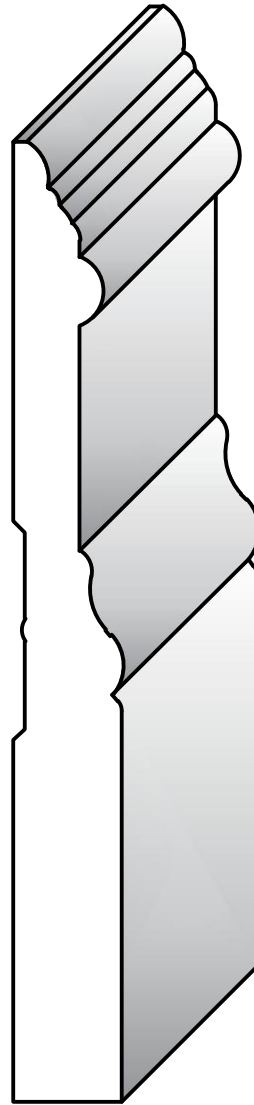
IM B06

3/4" x 3-1/2" ▽ □
3/4" x 5-1/2" ▽



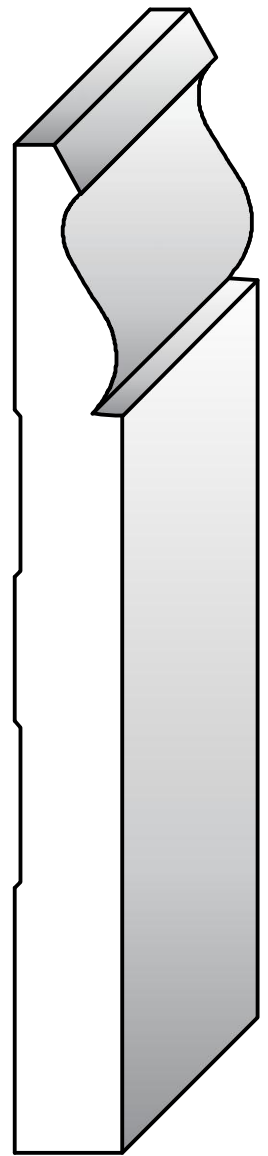
IM B02

1 1/16" x 4-5/8" ▽ □



IM B03

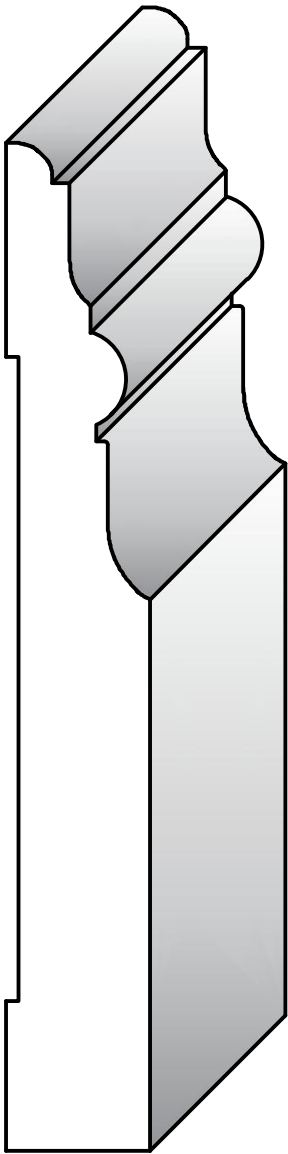
9/16" x 5" □



IM B04

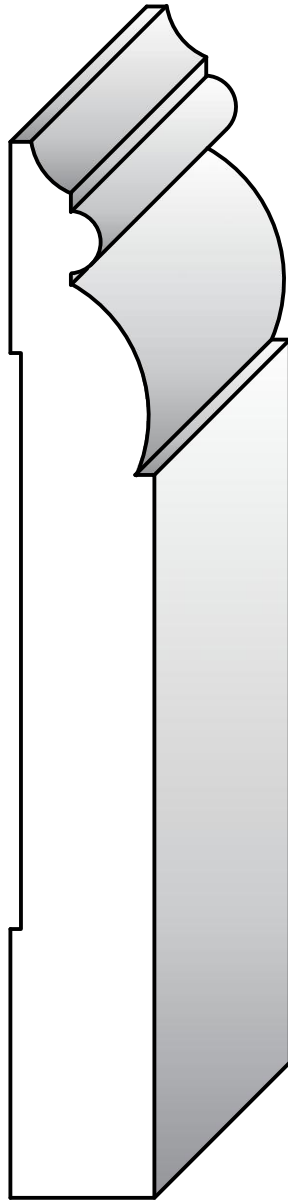
9/16" x 5-1/4" ○

BASES



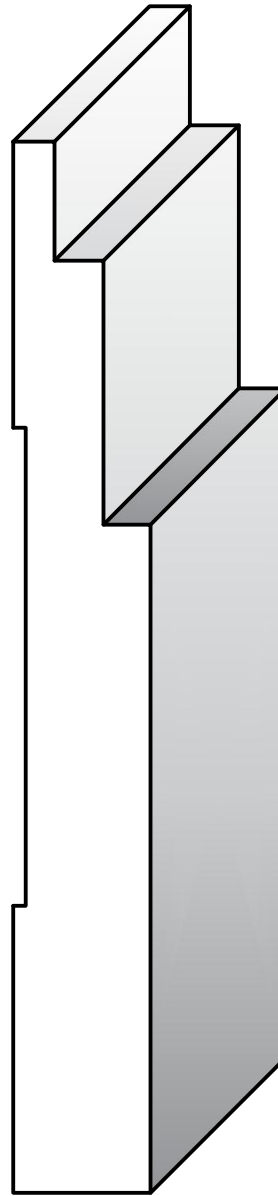
IM B05

9/16" x 5-1/4" ▽ □



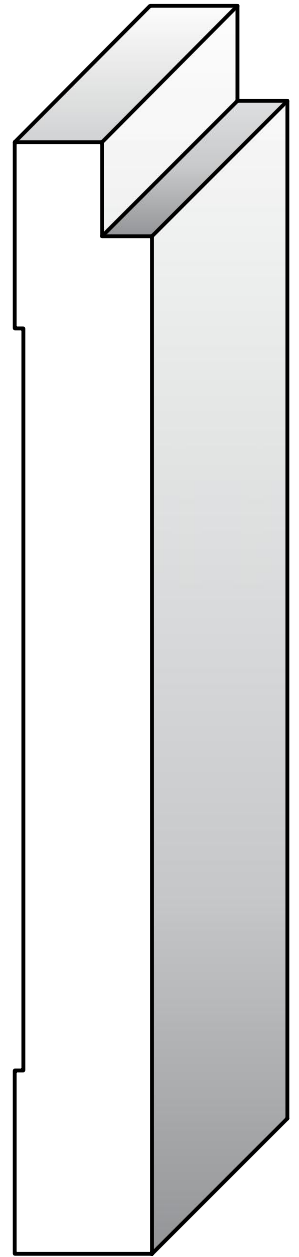
IM B07

3/4" x 5-1/2" ▽ □
3/4" x 7-1/2" ▽ □



IM B08

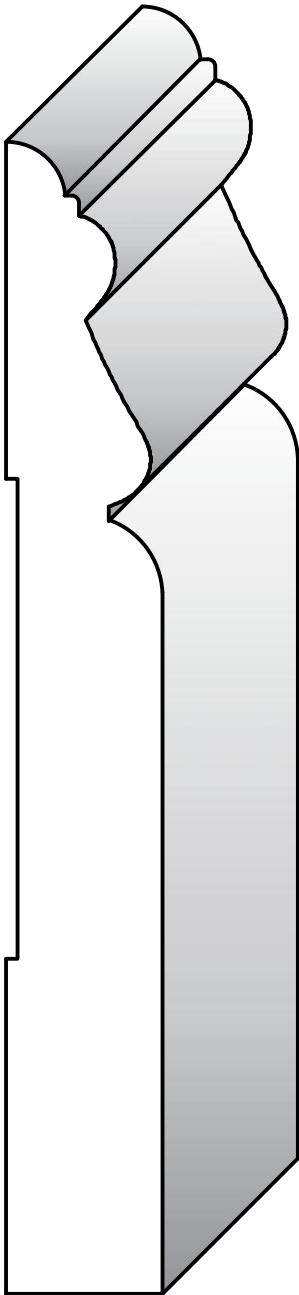
3/4" x 5-1/2" ▽



IM B09

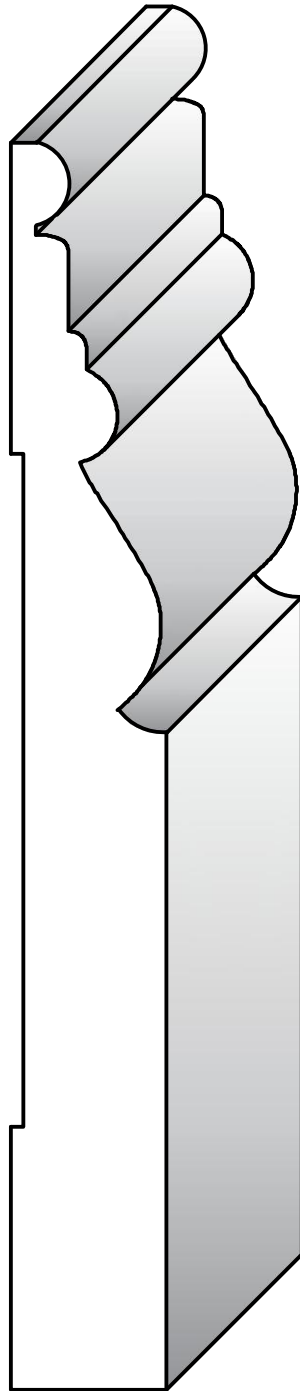
3/4" x 6" ▽

BASES



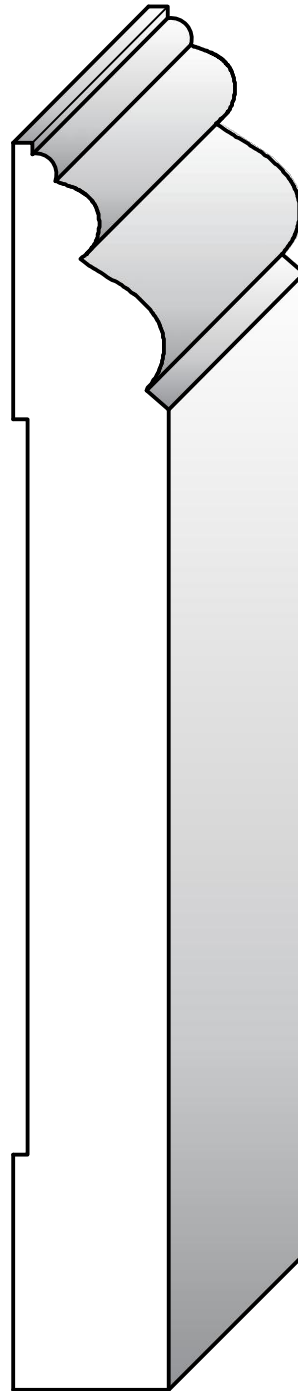
IM B10

13/16" x 6" ▽
13/16" x 7-1/2" ▽ □



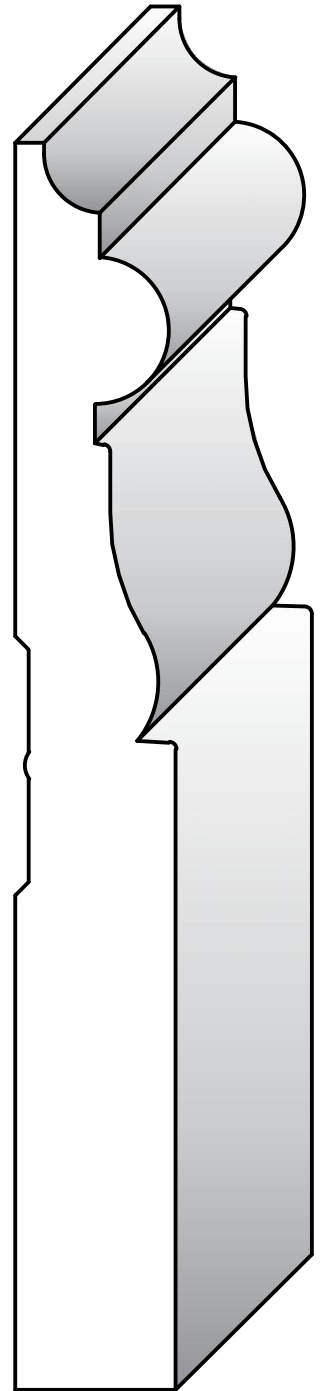
IM B11

13/16" x 6-1/2" ▽ □



IM B12

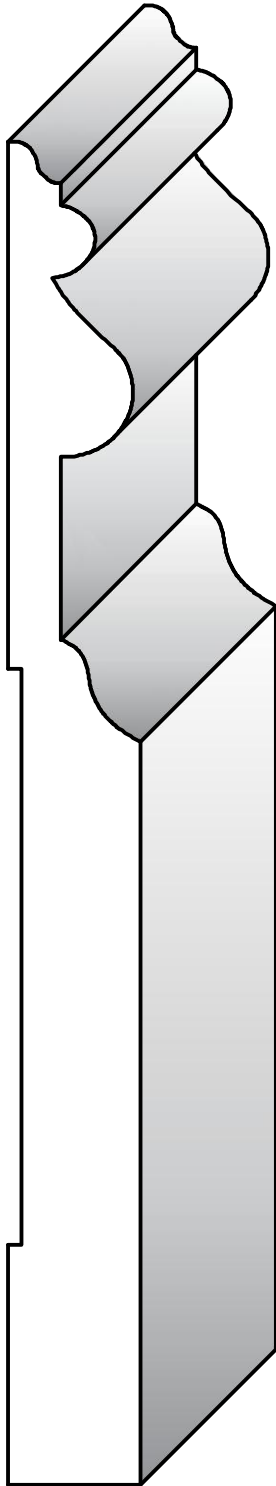
13/16" x 6-1/2" ▽ □



IM B13

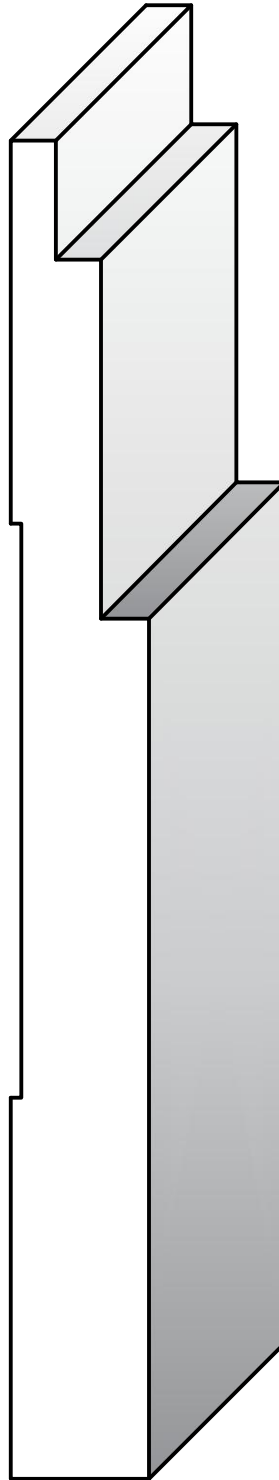
13/16" x 6-1/2" □

BASES



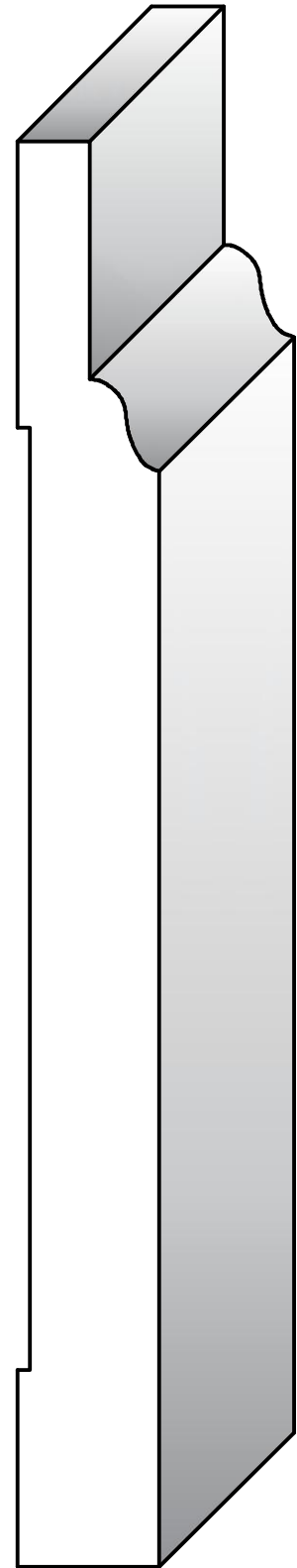
IM B14

11/16" x 7" ▽ □



IM B15

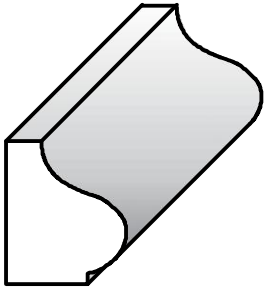
11/16" x 7" ▽



IM B16

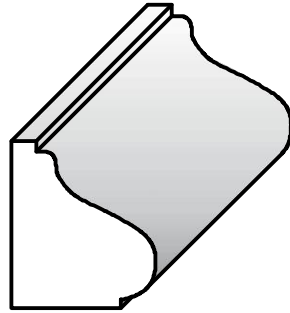
3/4" x 5-5/8" ▽
3/4" x 7-1/2" ▽

BASE CAPS



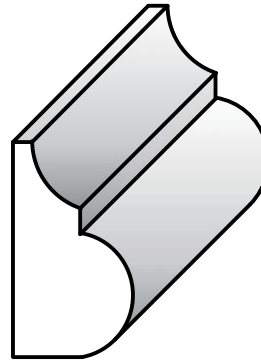
IM BC01

5/8" x 3/4" ▽



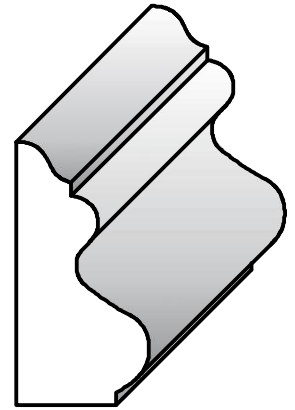
IM BC02

3/4" x 7/8" ▽



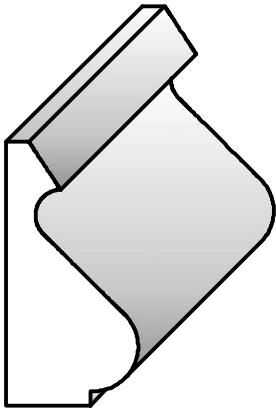
IM BC03

5/8" x 1-1/8" ▽



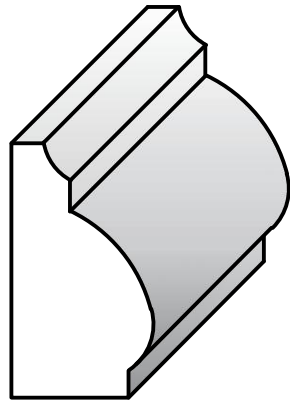
IM BC04

5/8" x 1-1/8" ▽ ●



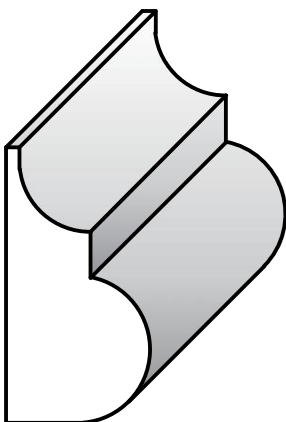
IM BC05

11/16" x 1-3/8" ●



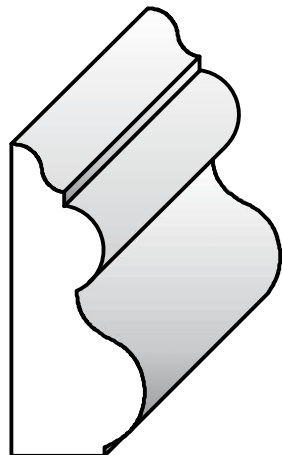
IM BC06

3/4" x 1-3/8" ▽



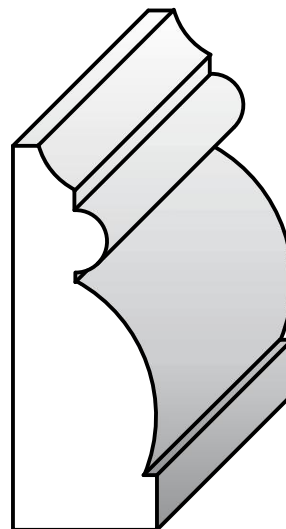
IM BC07

7/16" x 1-3/8" ▽



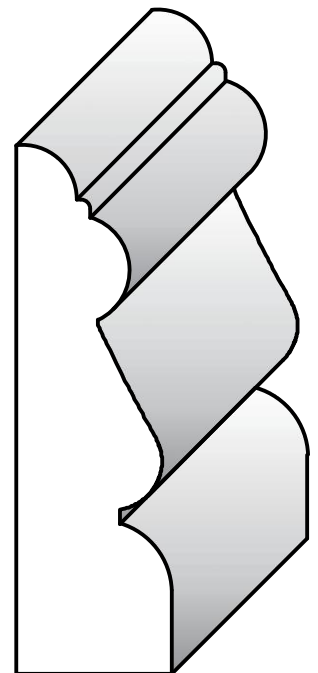
IM BC08

11/16" x 1-5/8" ▽ ●



IM BC09

3/4" x 2" ▽



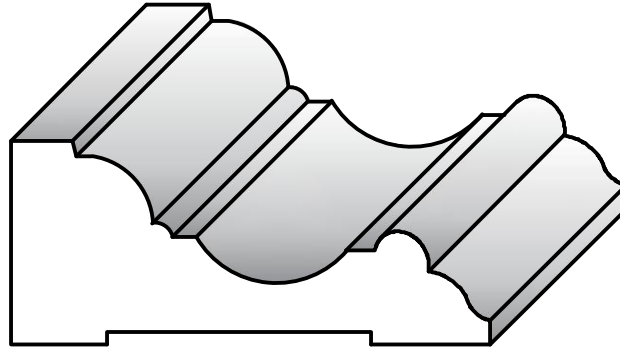
IM BC10

13/16" x 2-3/4" ▽

CASINGS

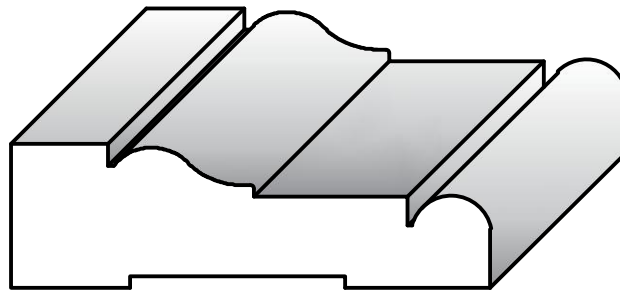
IM C01

1-1/16" x 2-1/2" ▽ ■



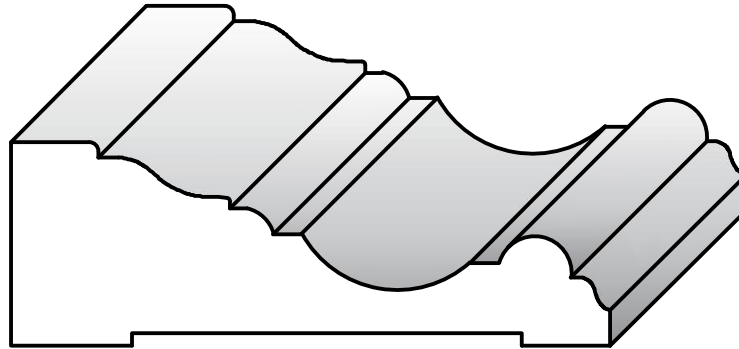
IM C02

3/4" x 2-1/2" ▽



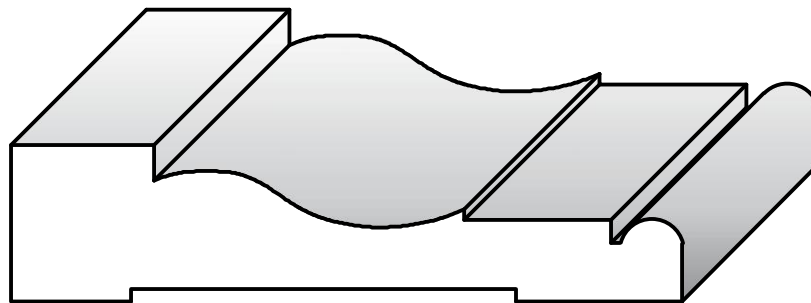
IM C03

1-1/16" x 3-1/8" ▽ ■



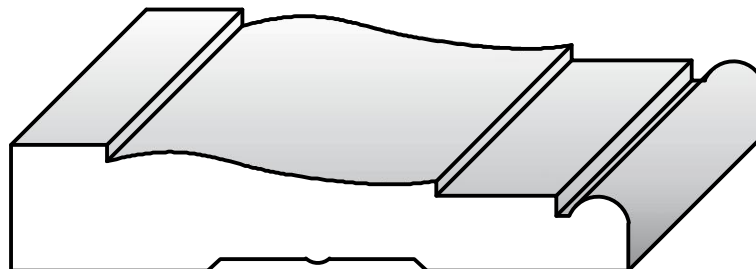
IM C04

13/16" x 3-1/2" ▽ ■



IM C04-1

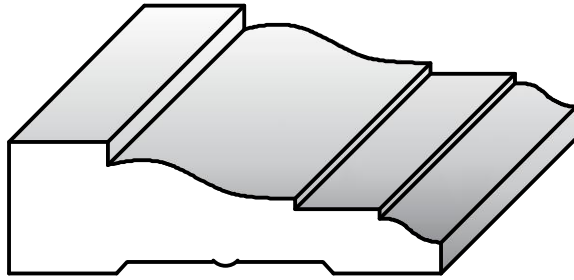
11/16" x 3-1/4" ○



CASINGS

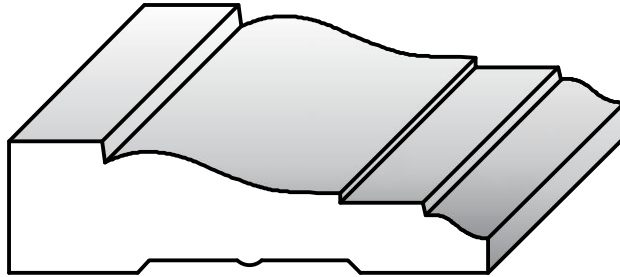
IM C05-2

11/16" x 2-1/4" ○



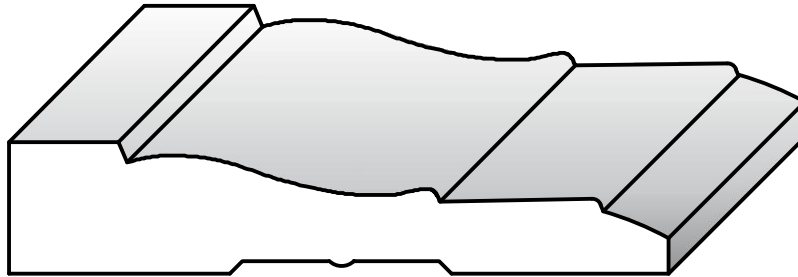
IM C05-2.5

11/16" x 2-1/2" ○



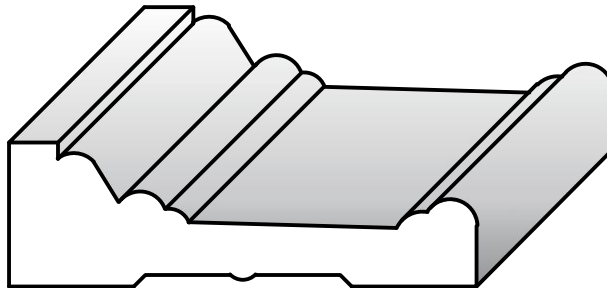
IM C05-3

11/16" x 3-1/2" ○



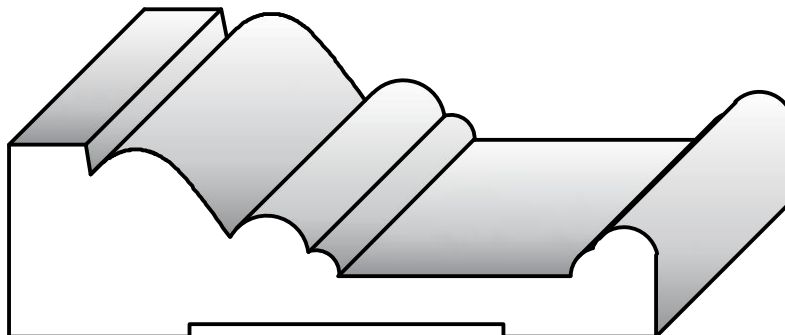
IM C06-2

3/4" x 2-1/2" ○



IM C06-3

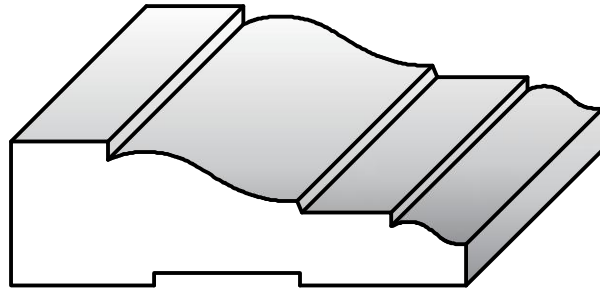
1" x 3-1/2" ▽ □ ○



CASINGS

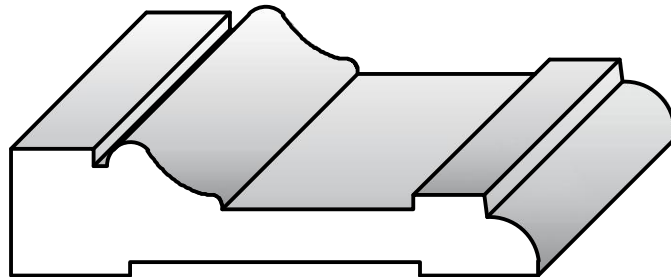
IM C22

3/4" x 2-3/8" ▽



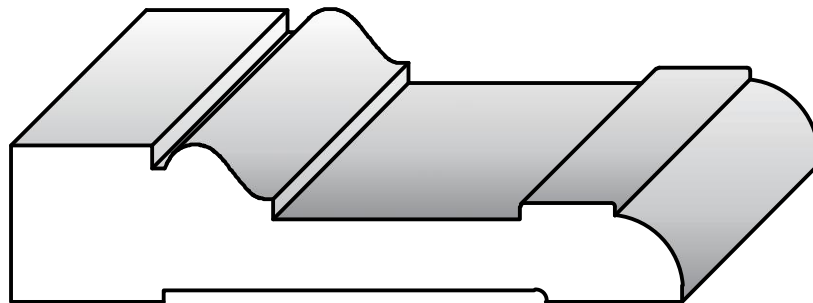
IM C07-2

11/16" x 2-3/4" ▽



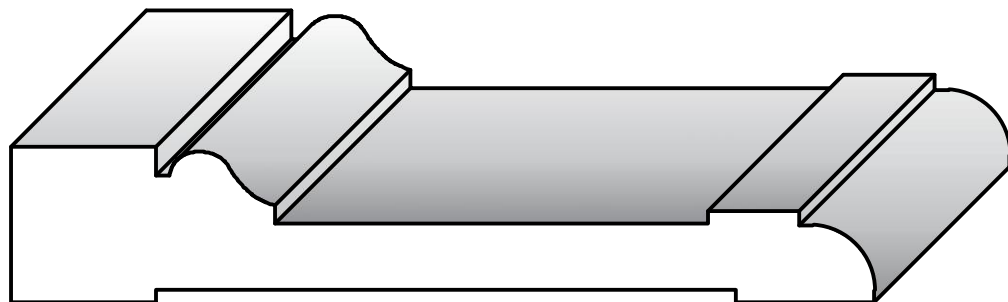
IM C07-3

13/16" x 3-1/2" ▽ ■



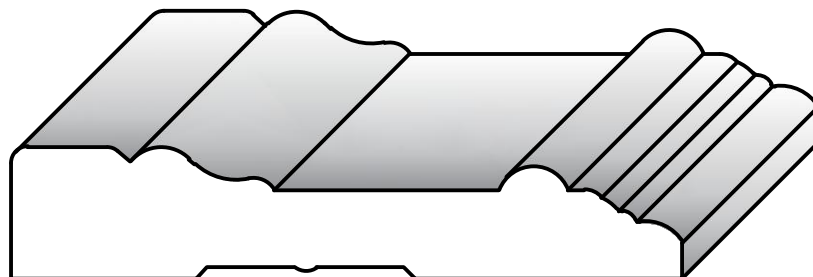
IM C07-4

13/16" x 4-1/2" ●



IM C08

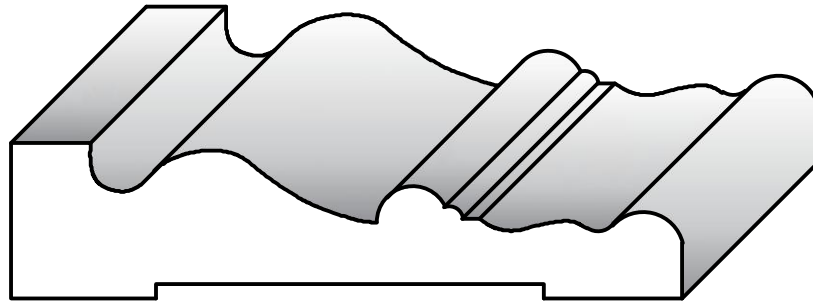
11/16" x 3-1/2" ■



CASINGS

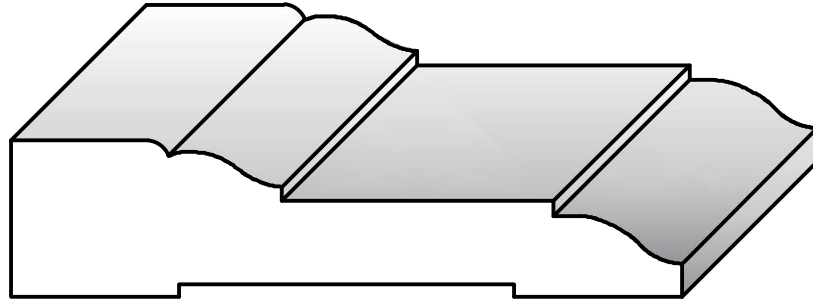
IM C09

13/16" x 3-1/2" ▽ ■



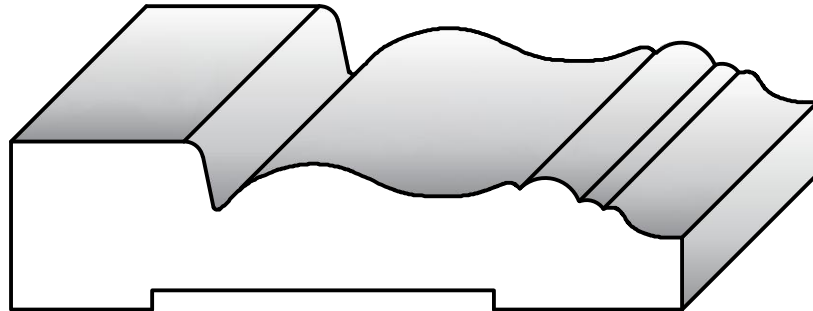
IM C10

13/16" x 3-1/2" ▽ ■



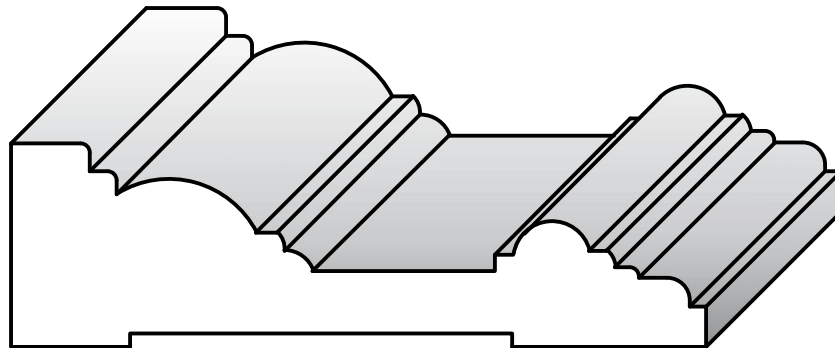
IM C11

7/8" x 3-1/2" ■



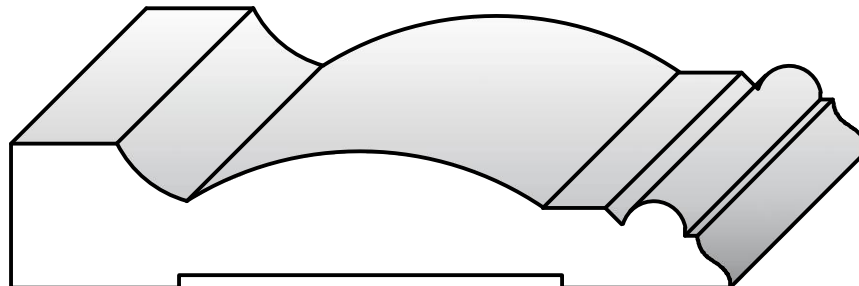
IM C12

1-1/16" x 3-5/8" ▽ ■



IM C13

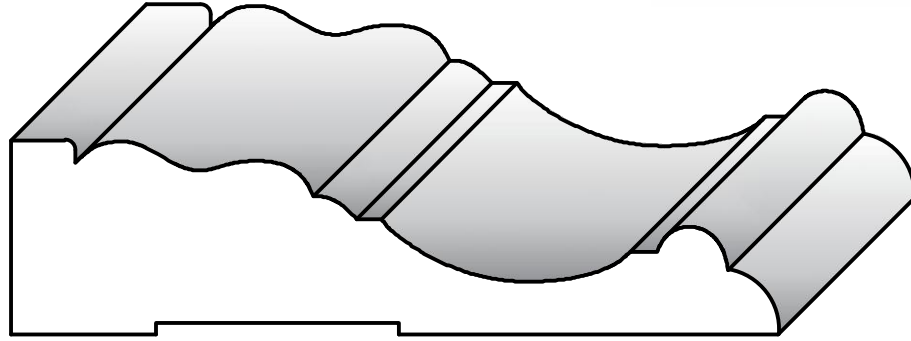
3/4" x 3-3/4" ▽ ■



CASINGS

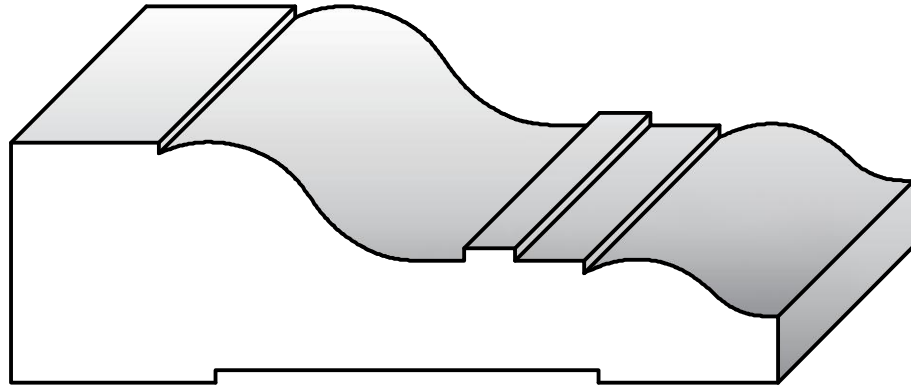
IM C14

1" x 4" ▽ □



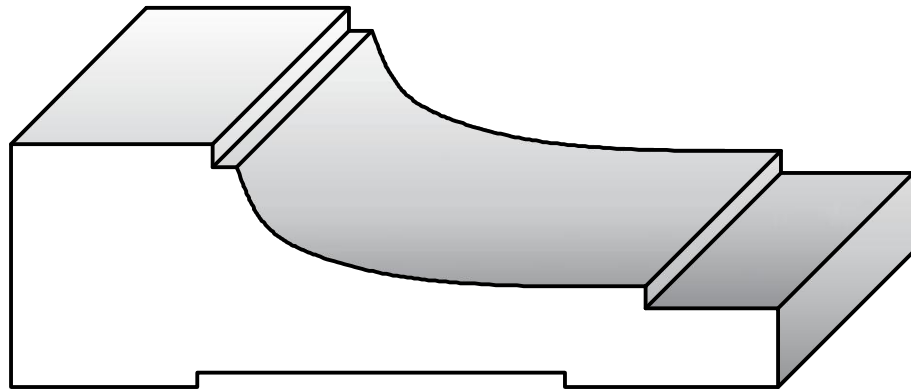
IM C15

1-1/4" x 4" ▽



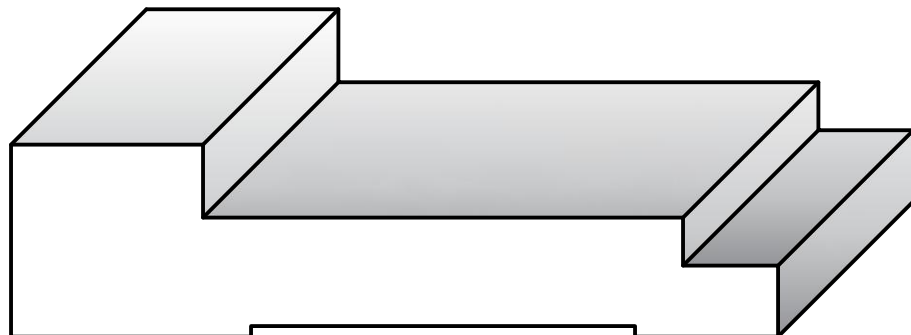
IM C16

1-1/4" x 4" ▽



IM C17

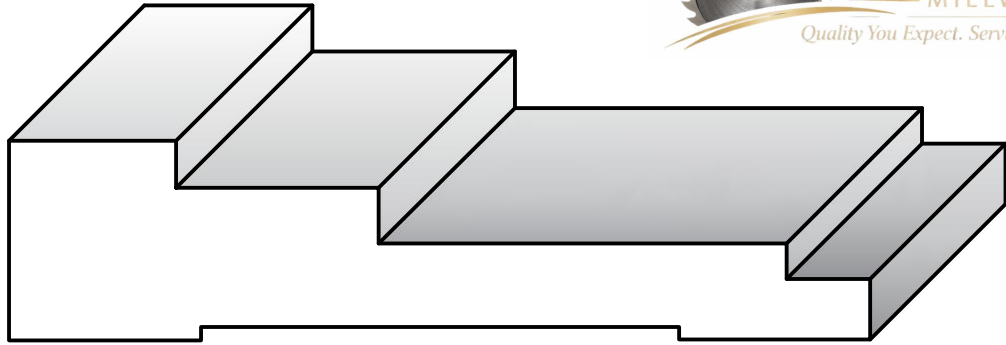
1" x 4" ▽



CASINGS

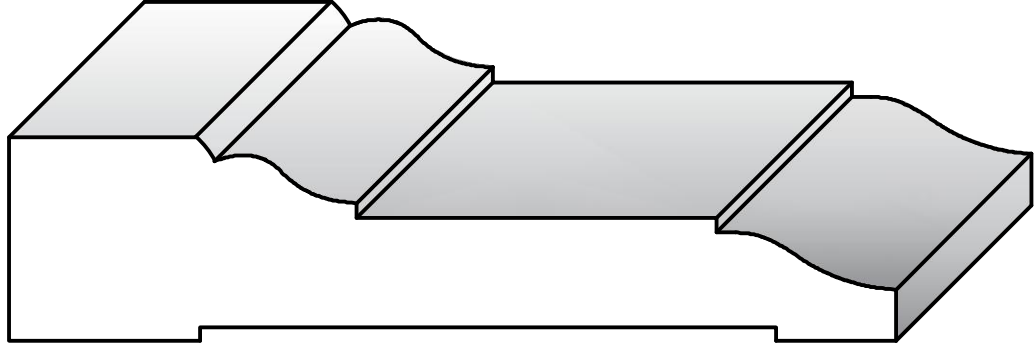
IM C18

1-1/16" x 4-1/2" ▽
1-1/4" x 4-1/2" ▽



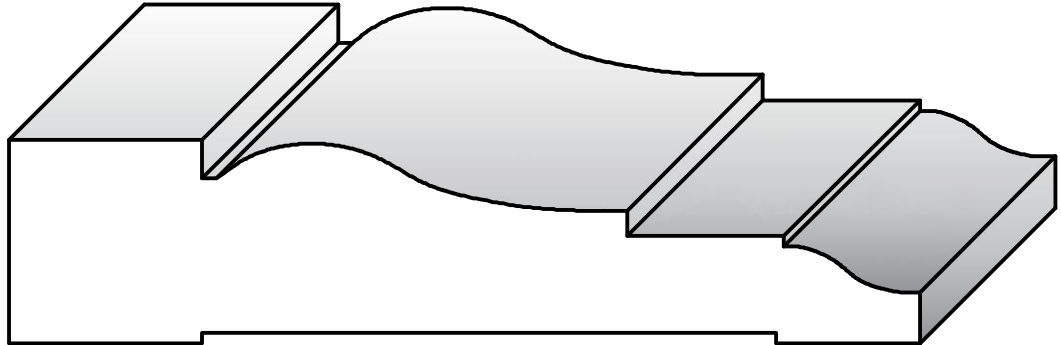
IM C19

1-1/16" x 4-5/8" ▽



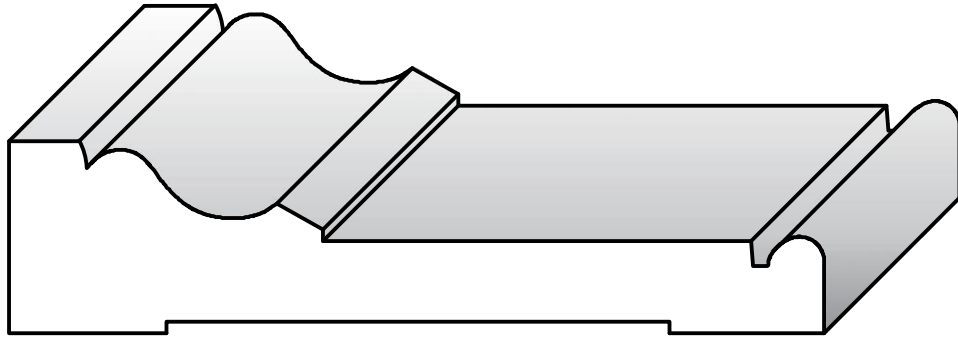
IM C20

1-1/16" x 4-3/4" ▽



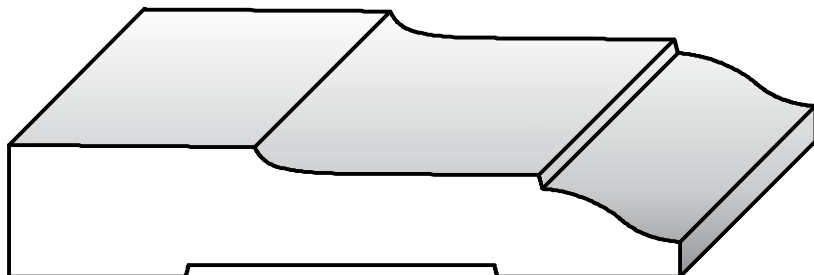
IM C21

1" x 4-1/4" ▽

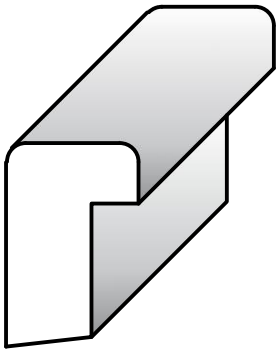


IM C8711

11/16" x 3-1/2" ○

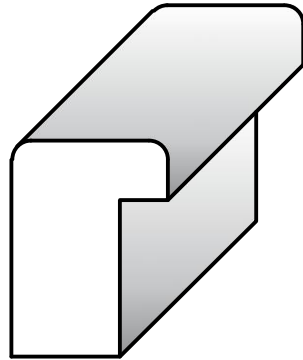


BACK BANDS



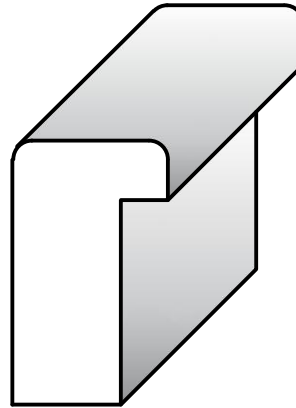
IM BB01-1

11/16" x 1-1/16" ●



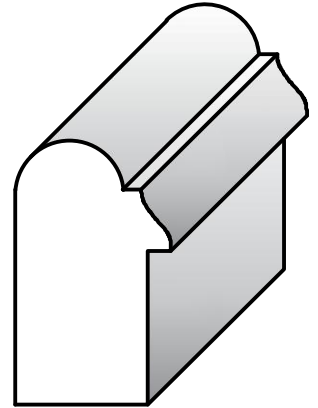
IM BB01-1

13/16" x 1-1/8" ▼



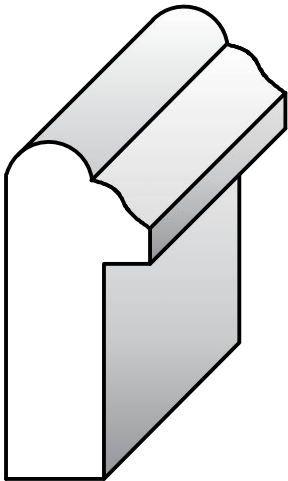
IM BB01-2

13/16" x 1-3/8" ▼



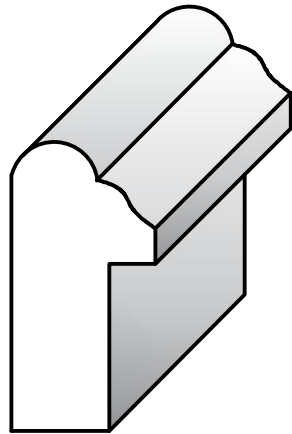
IM BB03

13/16" x 1-3/8" ▼



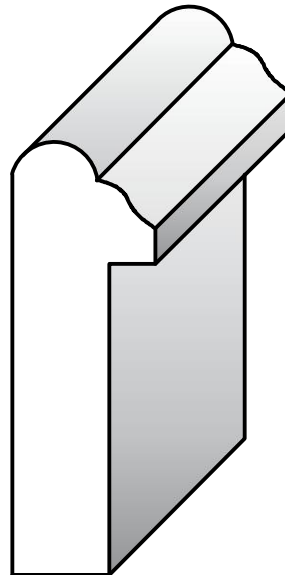
IM BB02-1

3/4" x 1-3/4" ▼



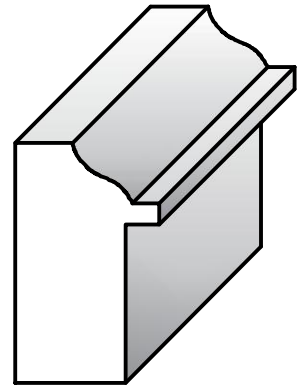
IM BB02-1.5

3/4" x 1-1/2" ▼



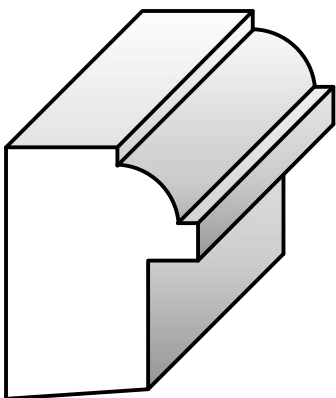
IM BB02-2

3/4" x 2-1/4" ▼



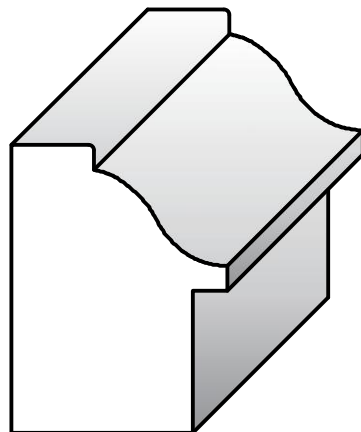
IM BB04

3/4" x 1-1/4" ▼



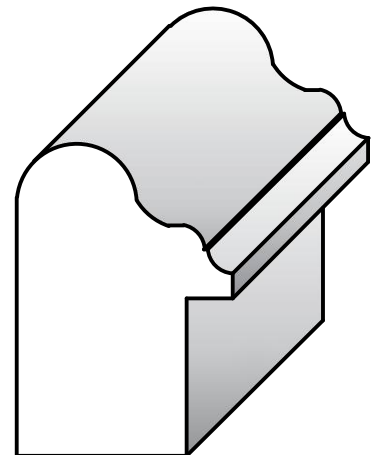
IM BB05

1" x 1-3/8" ▼



IM BB06

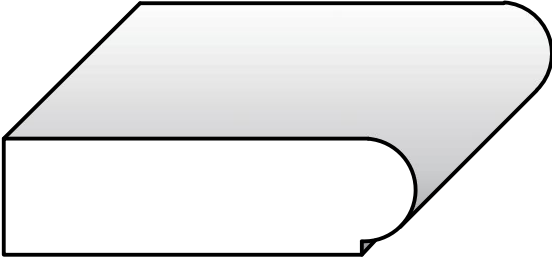
1-1/8" x 1-1/2" ▼



IM BB07

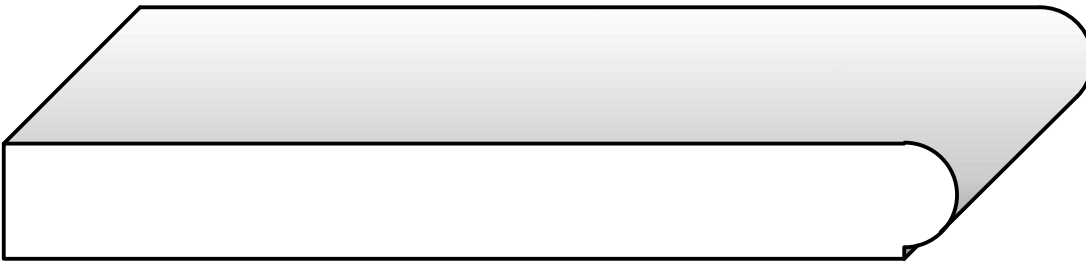
1-1/8" x 1-5/8" ▼

SILLS & STOOLS



IM WS01

5/8" x 2-1/4" ▽



IM WS02

5/8" x 5" ▽



GS L8940

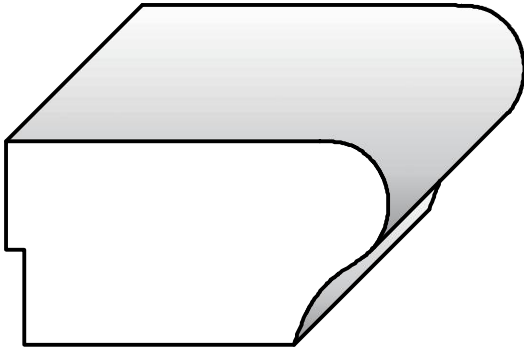
11/16" x 5-1/4" ○



GS L1021

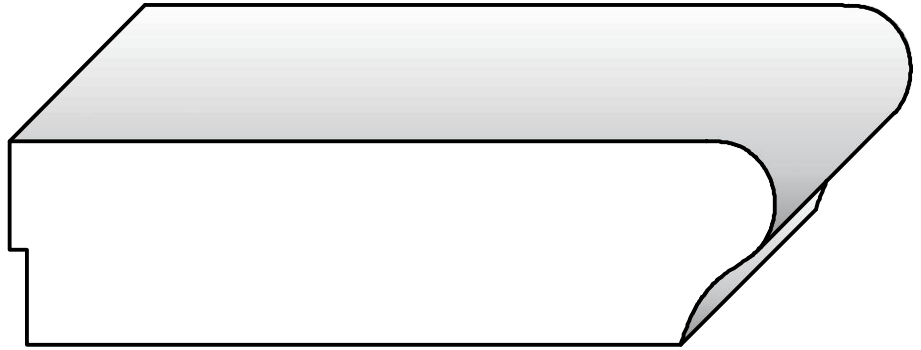
11/16" x 7-1/4" ○

SILLS & STOOLS



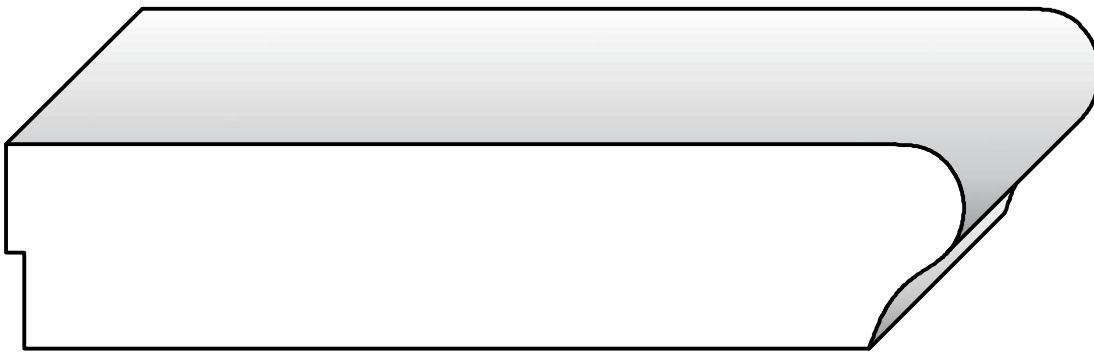
IM WS03-2

1-1/16" x 2" ▽



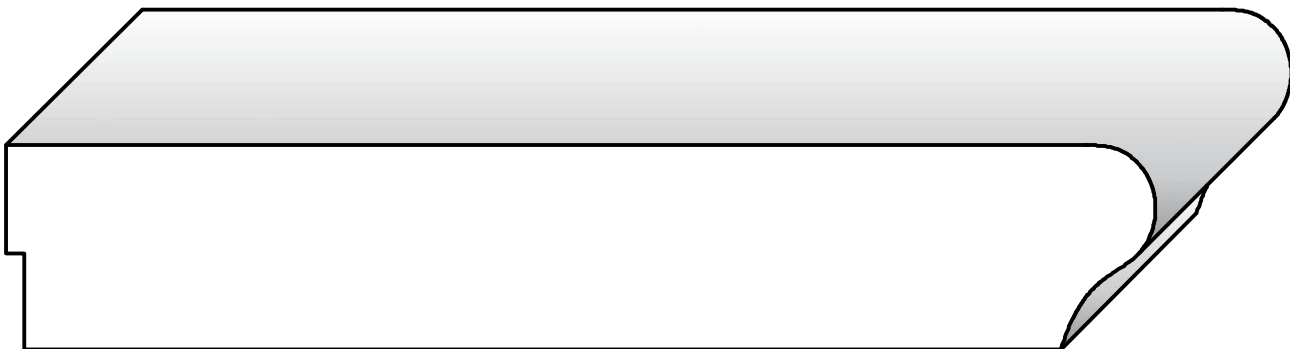
IM WS03-4

1-1/16" x 4" ▽



IM WS03-5

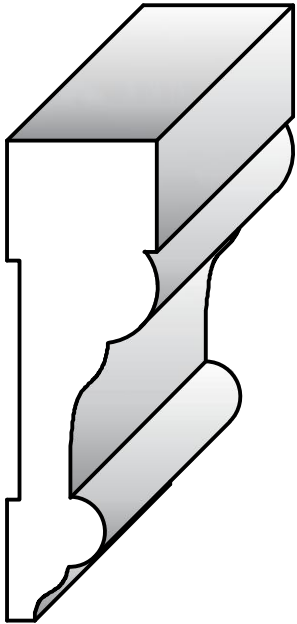
1-1/16" x 5-1/4" ▽



IM WS03-6

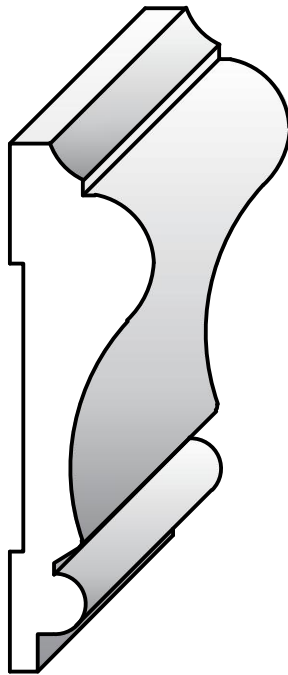
1-1/16" x 6-1/4" ▽

CHAIR RAILS



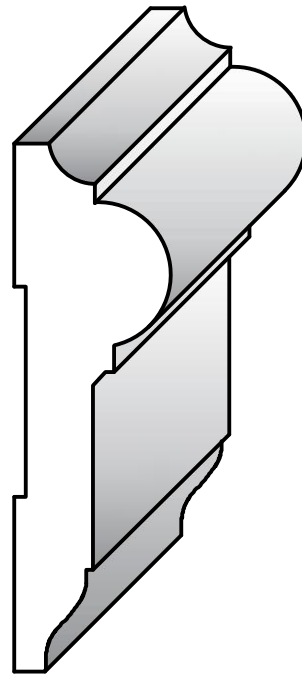
IM CH01

3/4" x 2-1/2" ▽



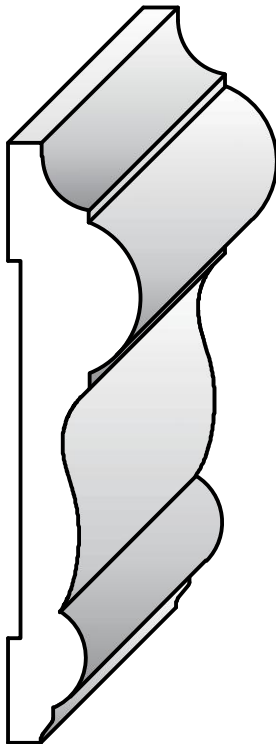
IM CH02

3/4" x 2-3/4" ▽



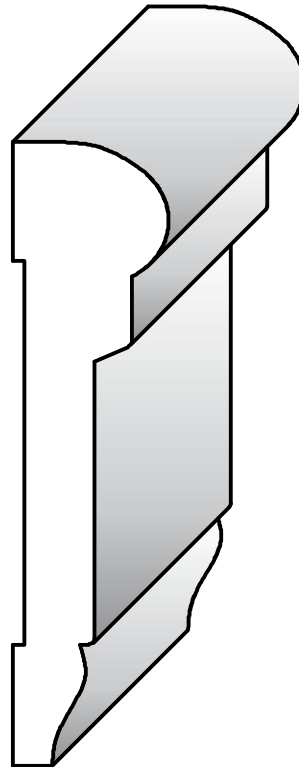
IM CH03

13/16" x 2-3/4" ▽



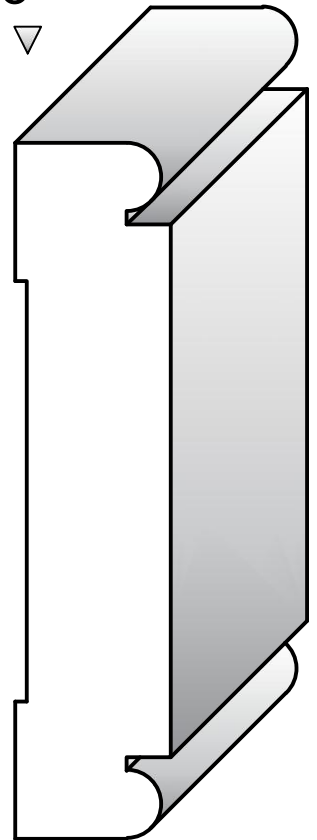
IM CH04

11/16" x 3-1/8" ▽
11/16" x 3" ●



IM CH05

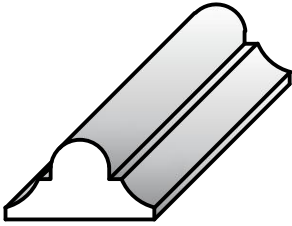
13/16" x 3-1/4" ▽



IM CH06

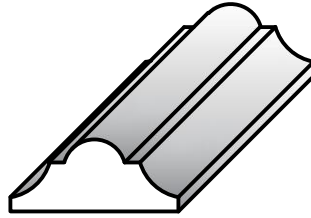
13/16" x 3-5/8" ▽

ASTRAGALS



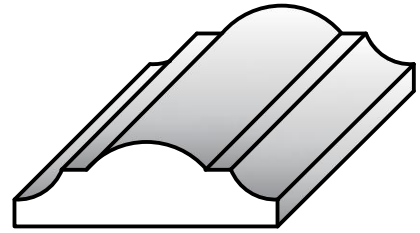
IM A01

7/16" x 3/4" ▽



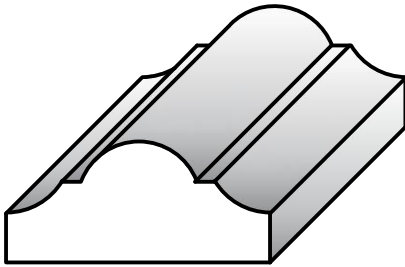
IM A02

3/8" x 7/8" ▽



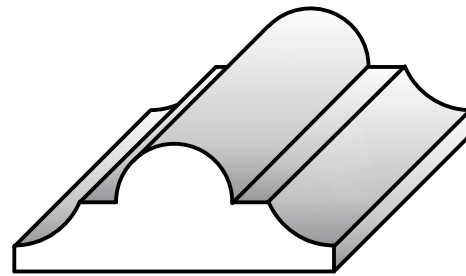
IM A03-2

7/16" x 1-3/8" ▽



IM A03

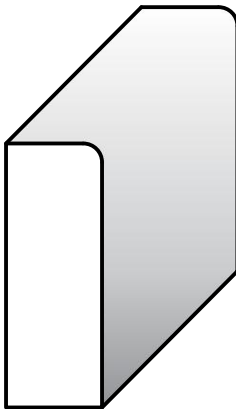
5/8" x 1-3/8" ▽



IM A04

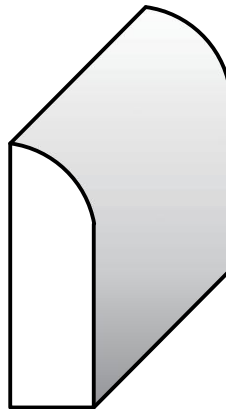
11/16" x 1-3/4" ▽

DOOR STOPS



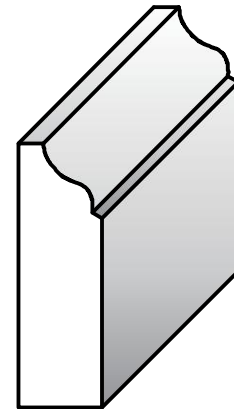
IM ST01

1/2" x 1-3/8" ▽



IM ST02

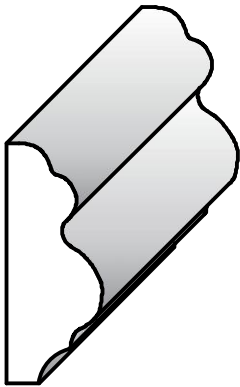
7/16" x 1-3/8" ▽



IM ST03

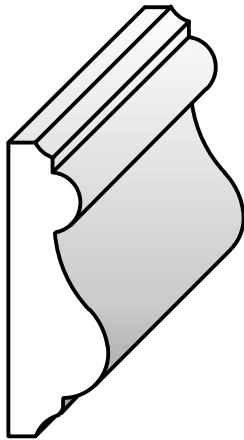
7/16" x 1-3/8" ▽

PANEL MOULDINGS



IM PM01

1/2" x 1-1/4" ▽



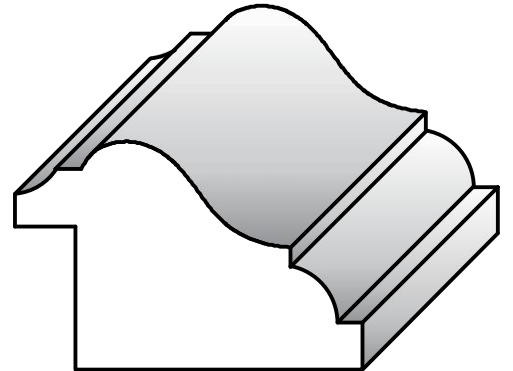
IM PM04

1/2" x 1-1/2" ▽



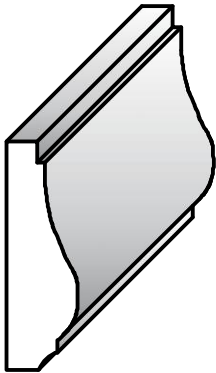
IM PM07

3/4" x 2-1/2" ▽



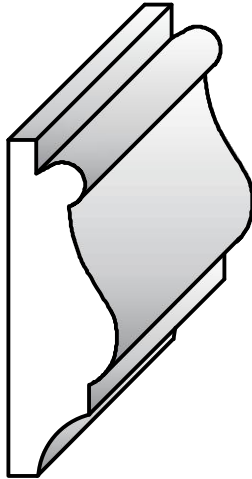
IM PM09

1-3/16" x 1-13/16" ■



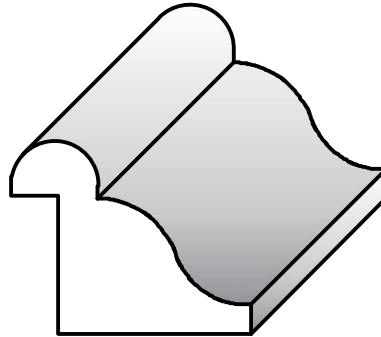
IM PM02

3/8" x 1-3/16" ▽



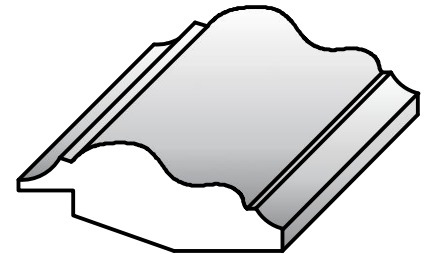
IM PM05

9/16" x 1-3/4" ▽



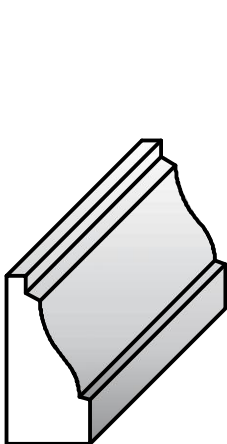
IM PM10

1" x 1-1/4" ▽



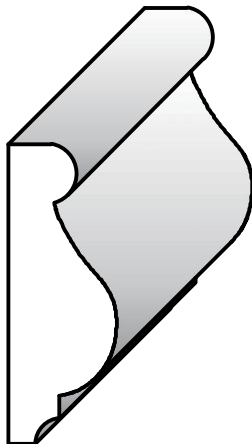
IM PM08-1

9/16" x 1-3/8" ▽



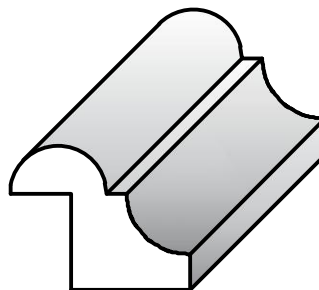
IM PM03

7/16" x 7/8" ▽



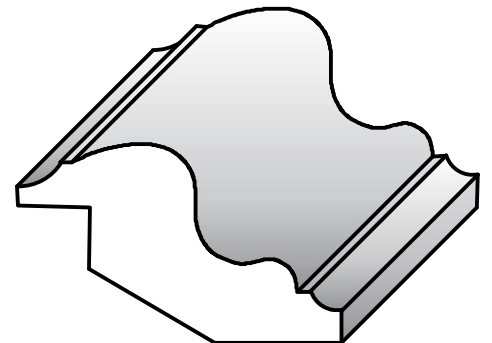
IM PM06

9/16" x 1-9/16" ▽



IM PM10-1

3/4" x 2-1/2" ▽



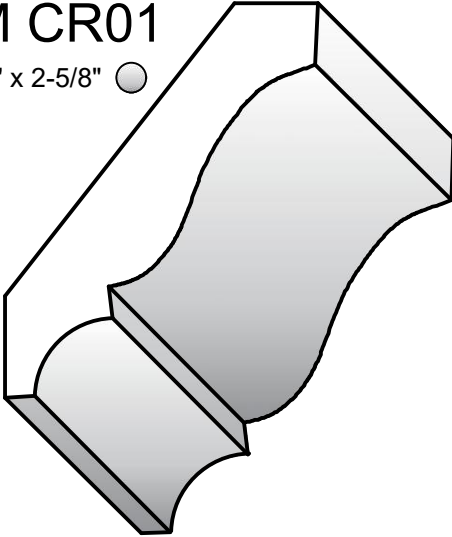
IM PM08

3/4" x 1-7/8" ▽

CROWNS

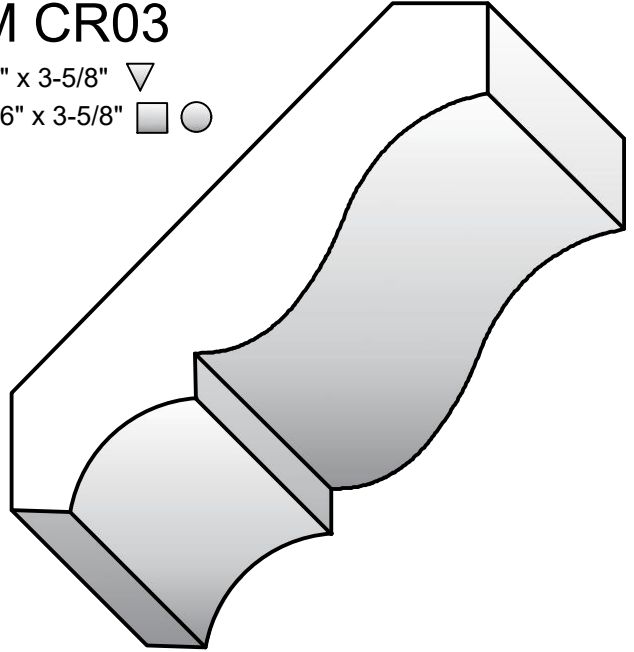
IM CR01

5/8" x 2-5/8" ○



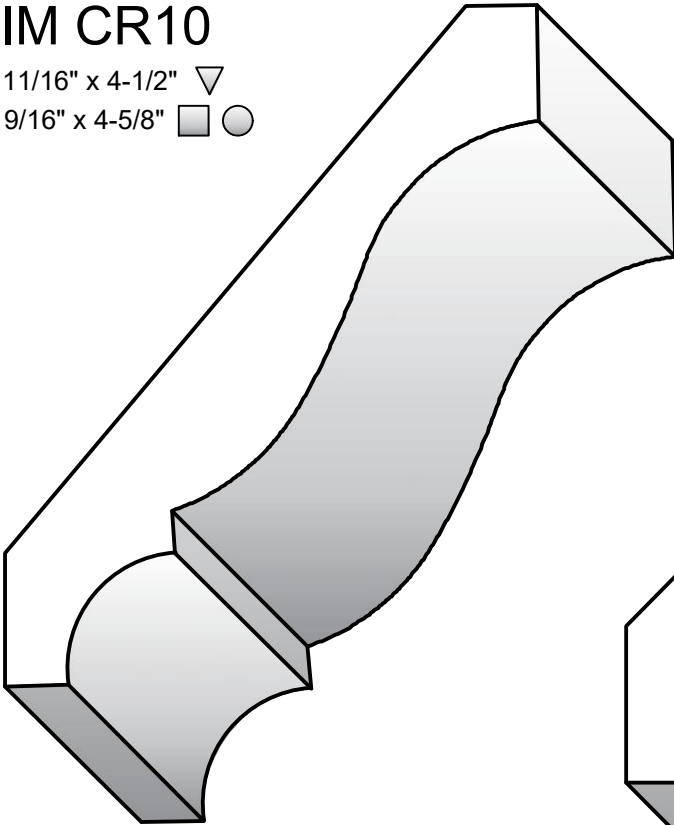
IM CR03

3/4" x 3-5/8" ▽
9/16" x 3-5/8" □ ○



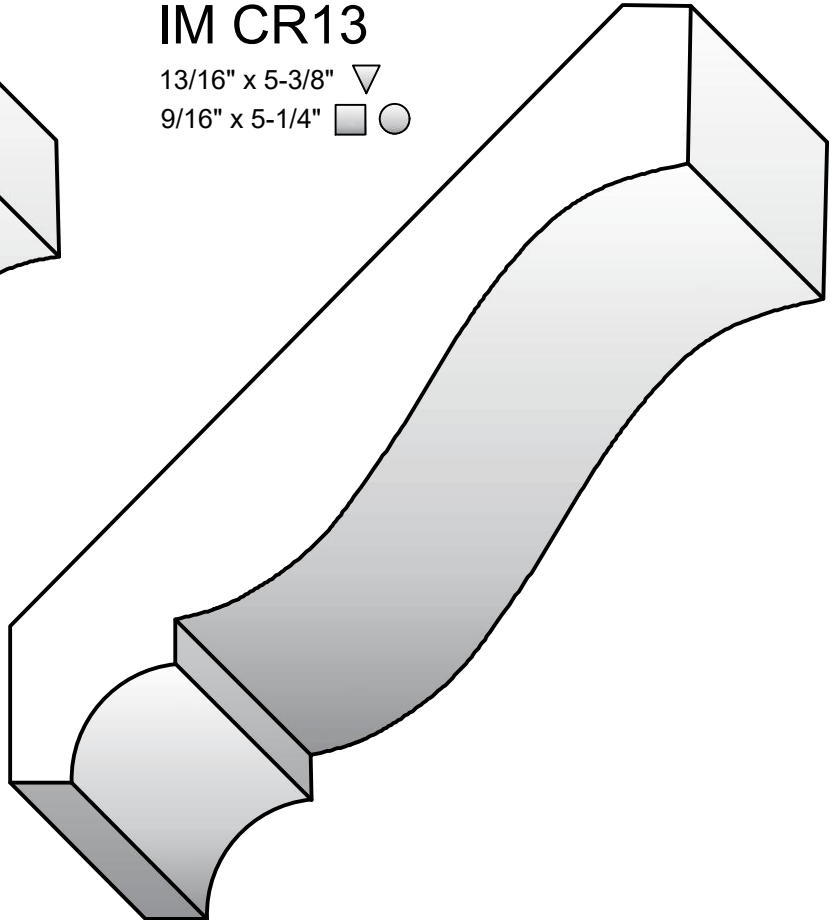
IM CR10

11/16" x 4-1/2" ▽
9/16" x 4-5/8" □ ○



IM CR13

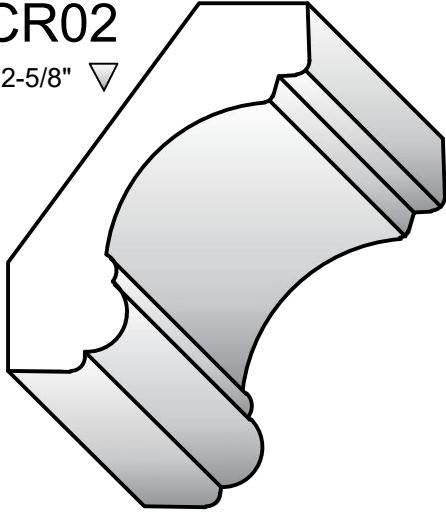
13/16" x 5-3/8" ▽
9/16" x 5-1/4" □ ○



CROWNS

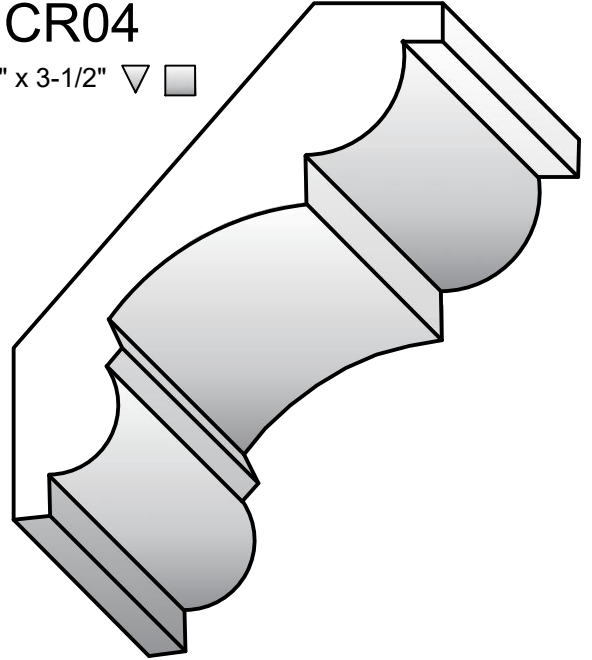
IM CR02

9/16" x 2-5/8" ▽



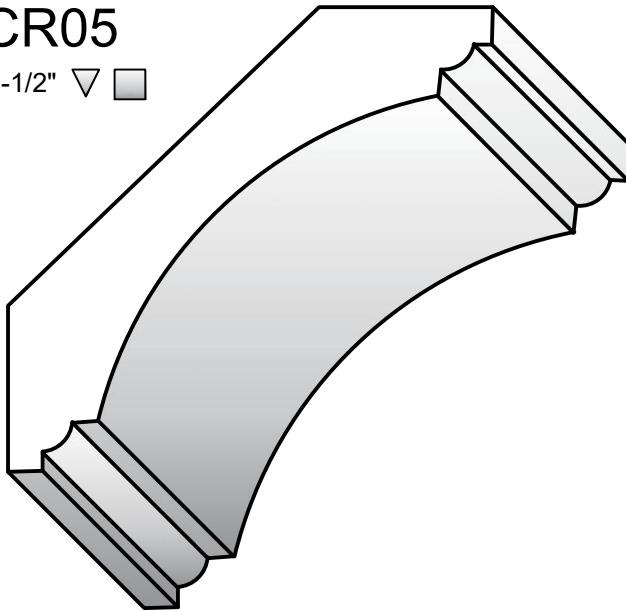
IM CR04

11/16" x 3-1/2" ▽ ◻



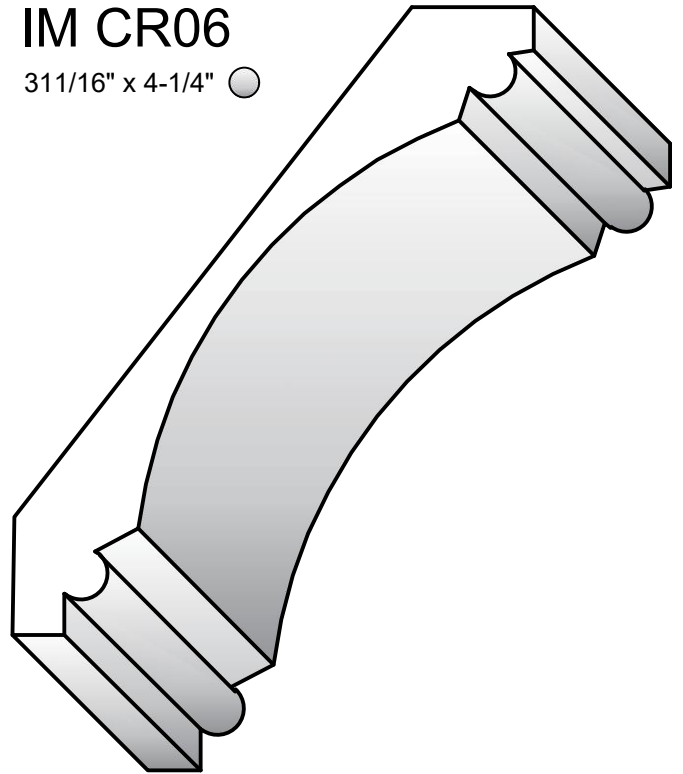
IM CR05

3/4" x 3-1/2" ▽ ◻



IM CR06

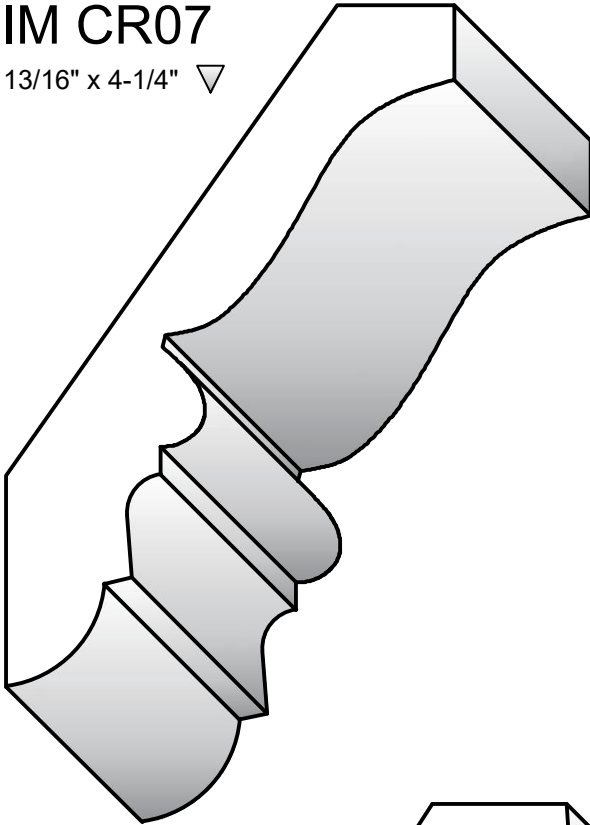
311/16" x 4-1/4" ○



CROWNS

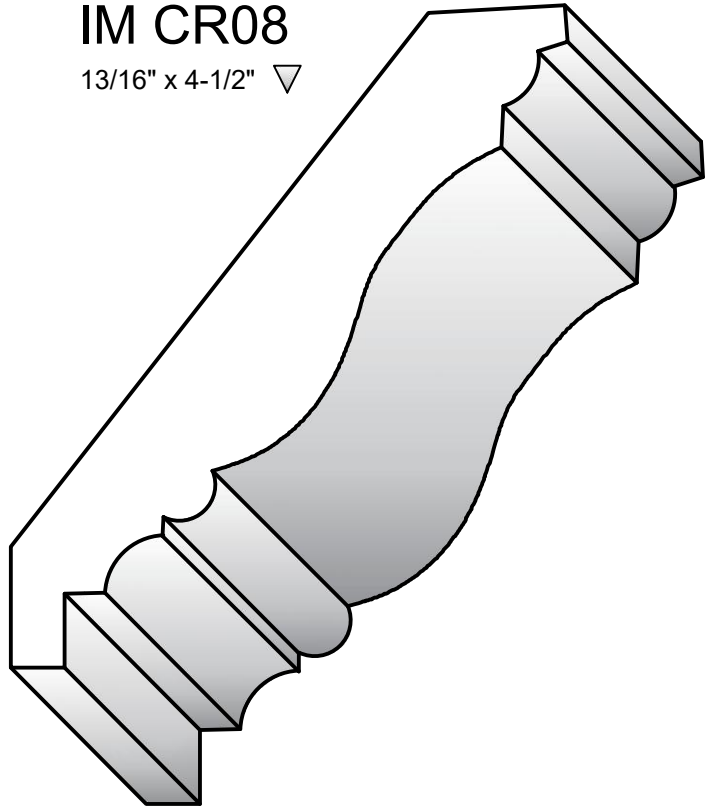
IM CR07

13/16" x 4-1/4" ▽



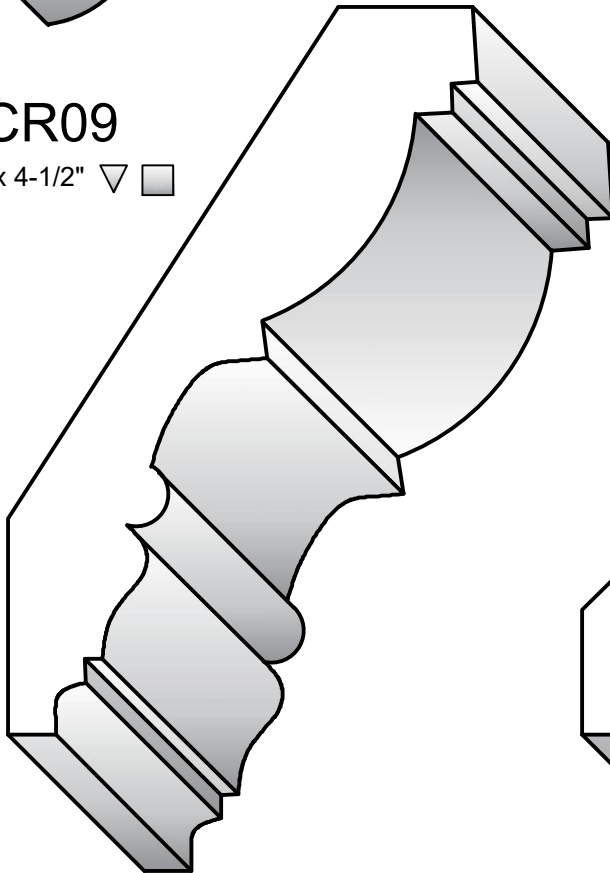
IM CR08

13/16" x 4-1/2" ▽



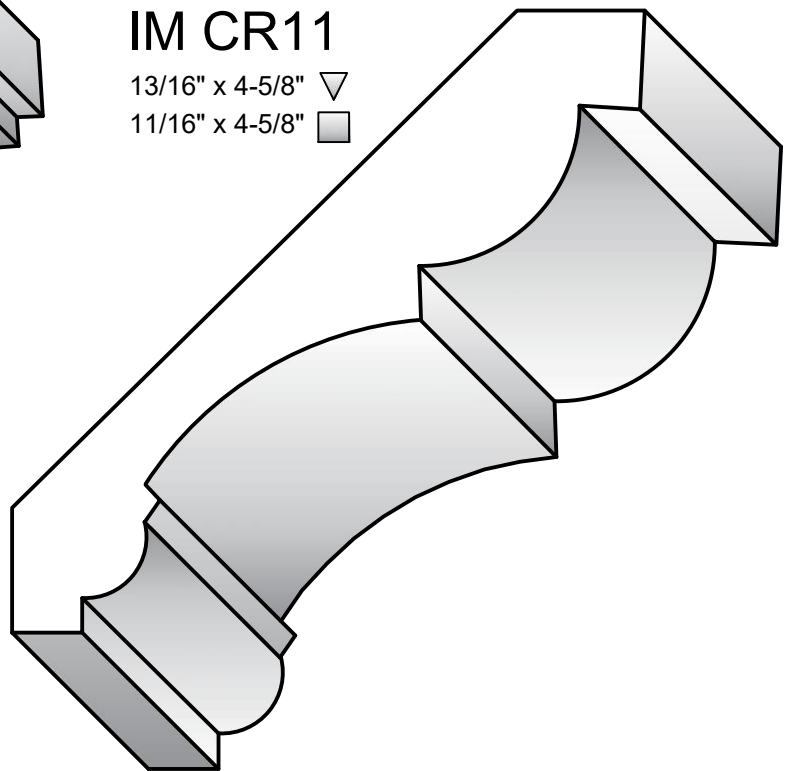
IM CR09

13/16" x 4-1/2" ▽ ◻



IM CR11

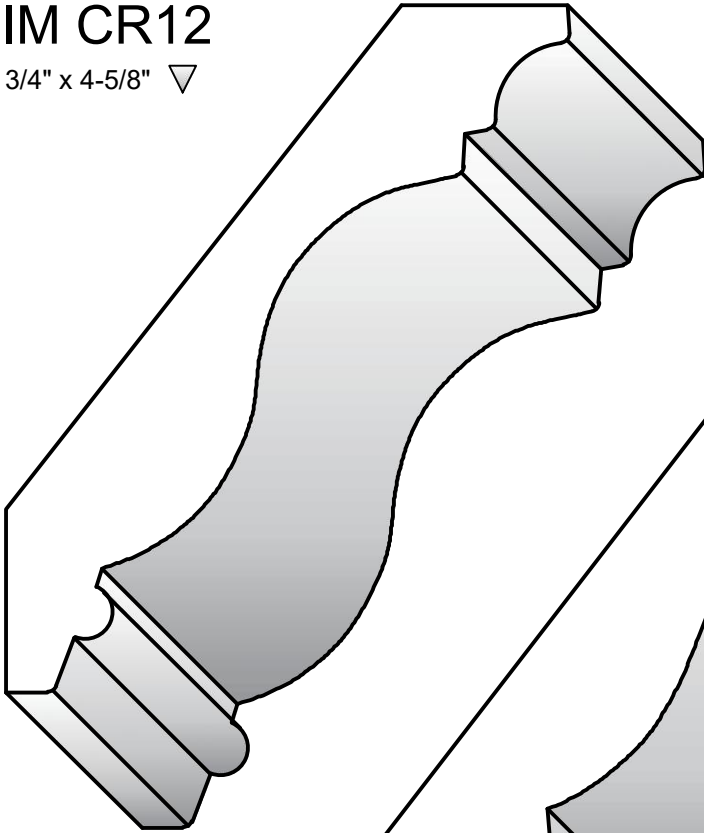
13/16" x 4-5/8" ▽
11/16" x 4-5/8" ◻



CROWNS

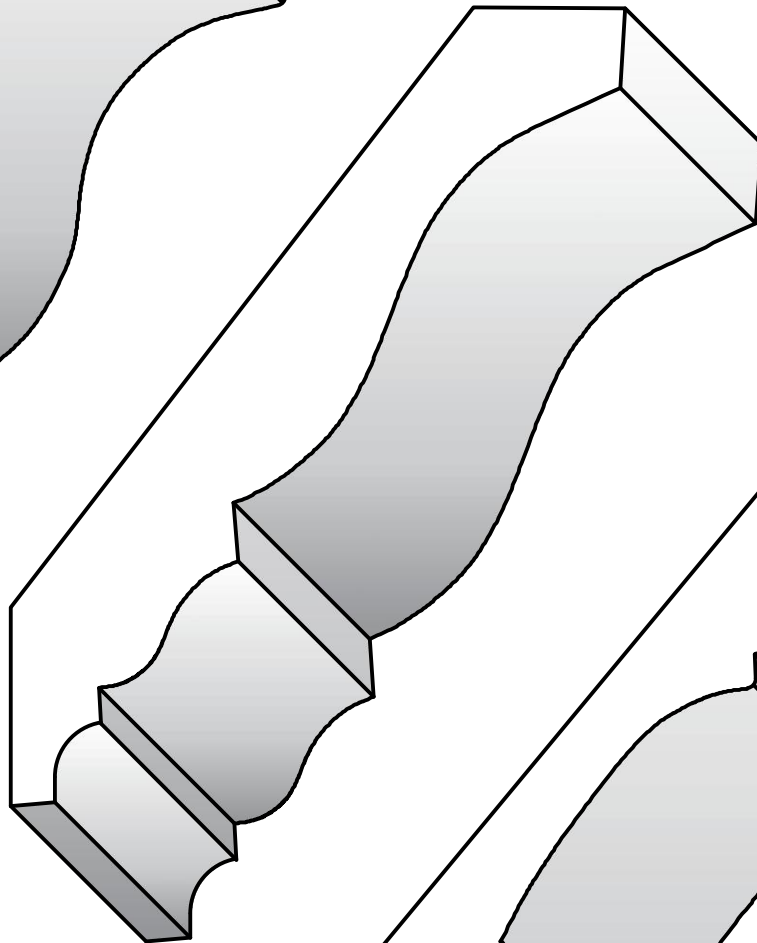
IM CR12

3/4" x 4-5/8" ▽



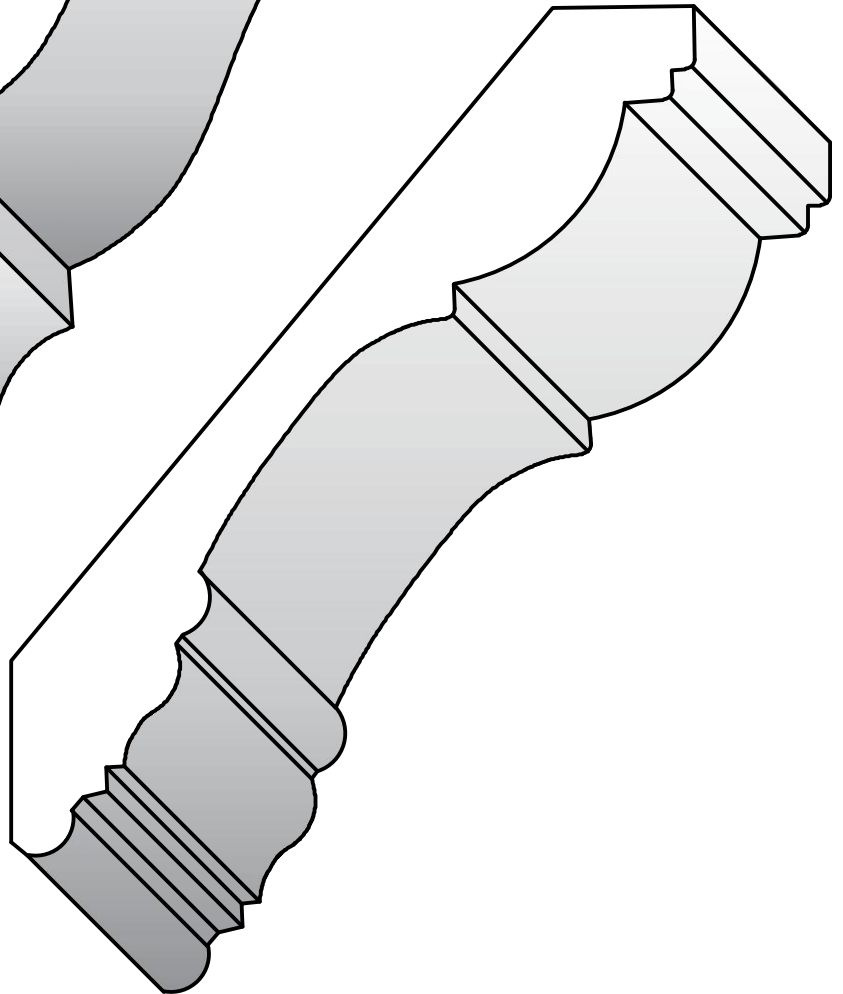
IM CR14

13/16" x 5-1/4" ▽ ■



IM CR17

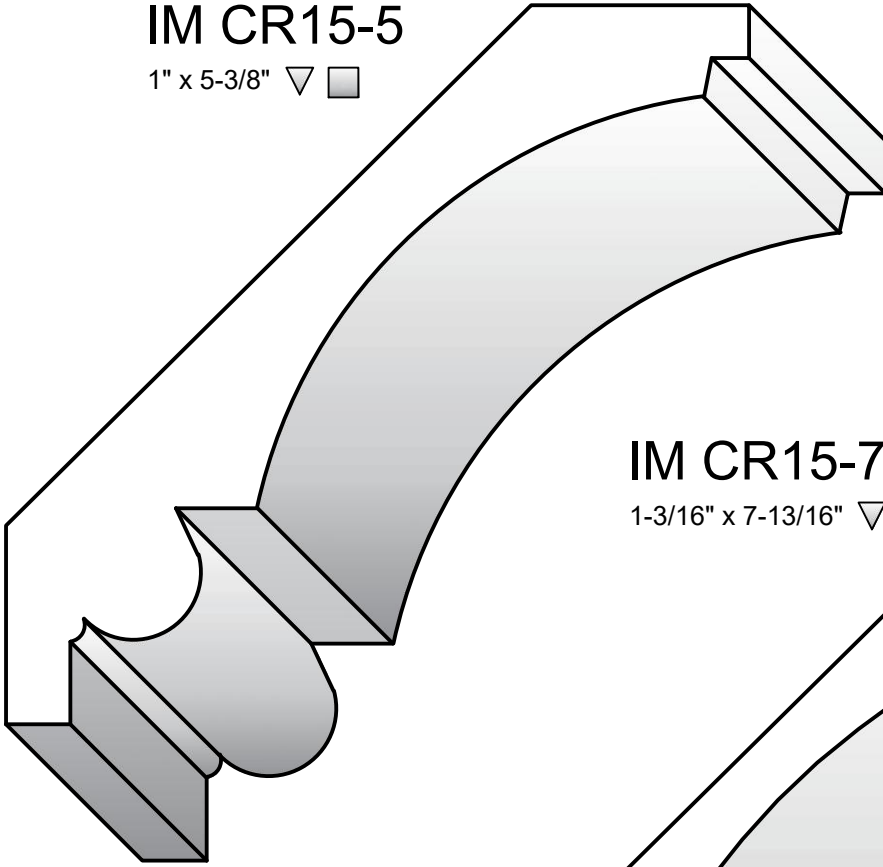
13/16" x 5-5/8" ▽ ■



CROWNS

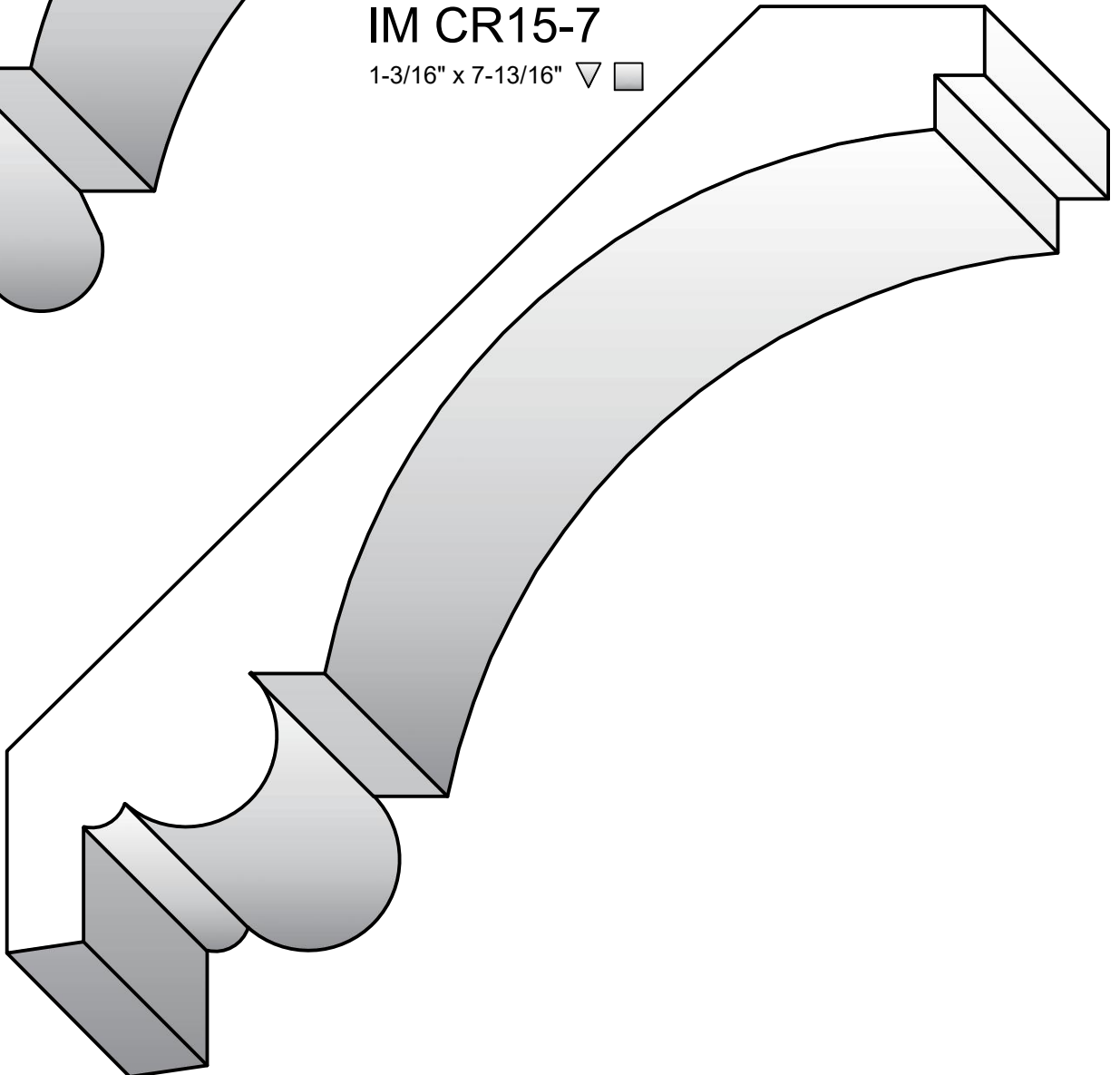
IM CR15-5

1" x 5-3/8" ▽ □



IM CR15-7

1-3/16" x 7-13/16" ▽ □



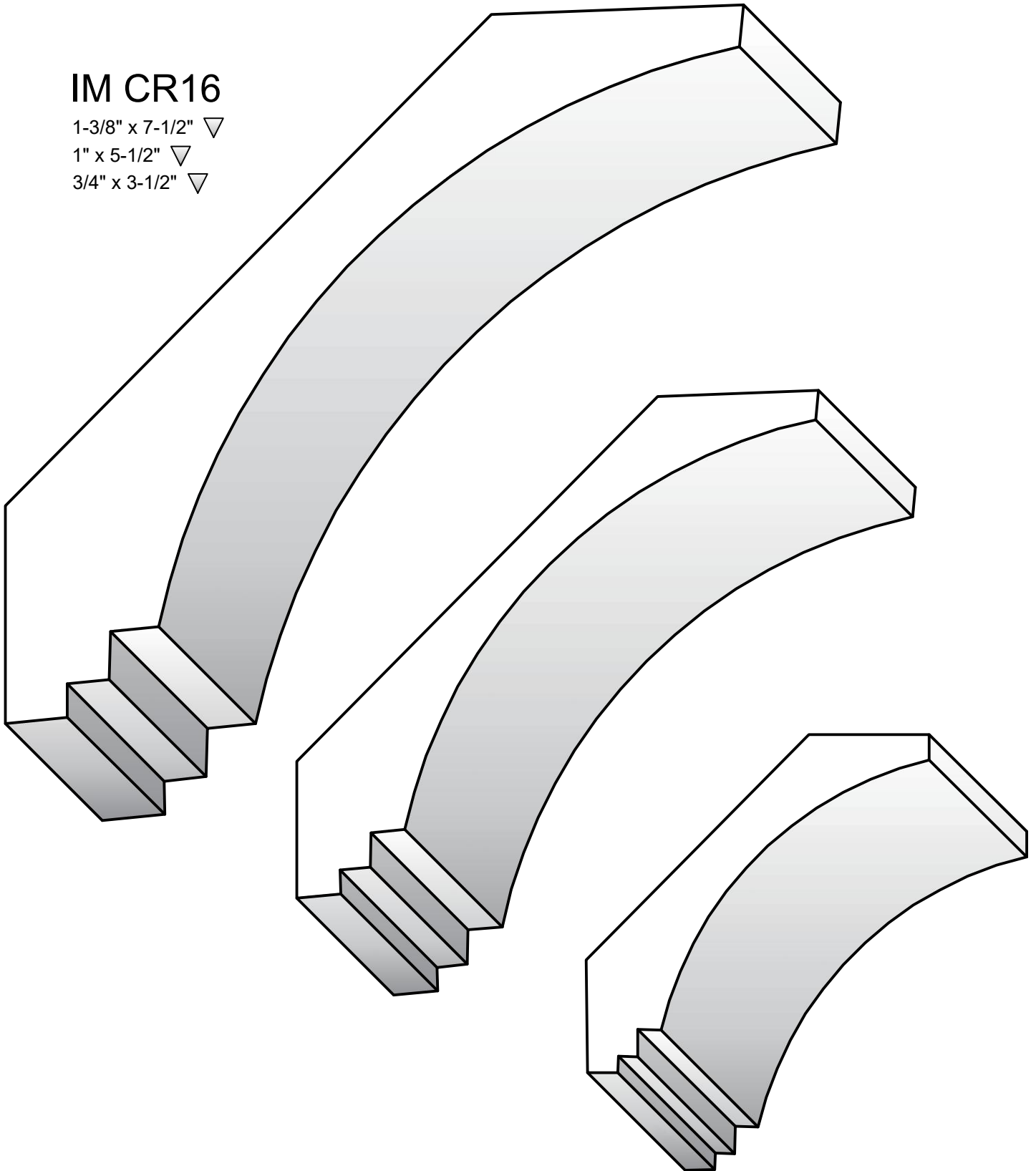
CROWNS

IM CR16

1-3/8" x 7-1/2" ▽

1" x 5-1/2" ▽

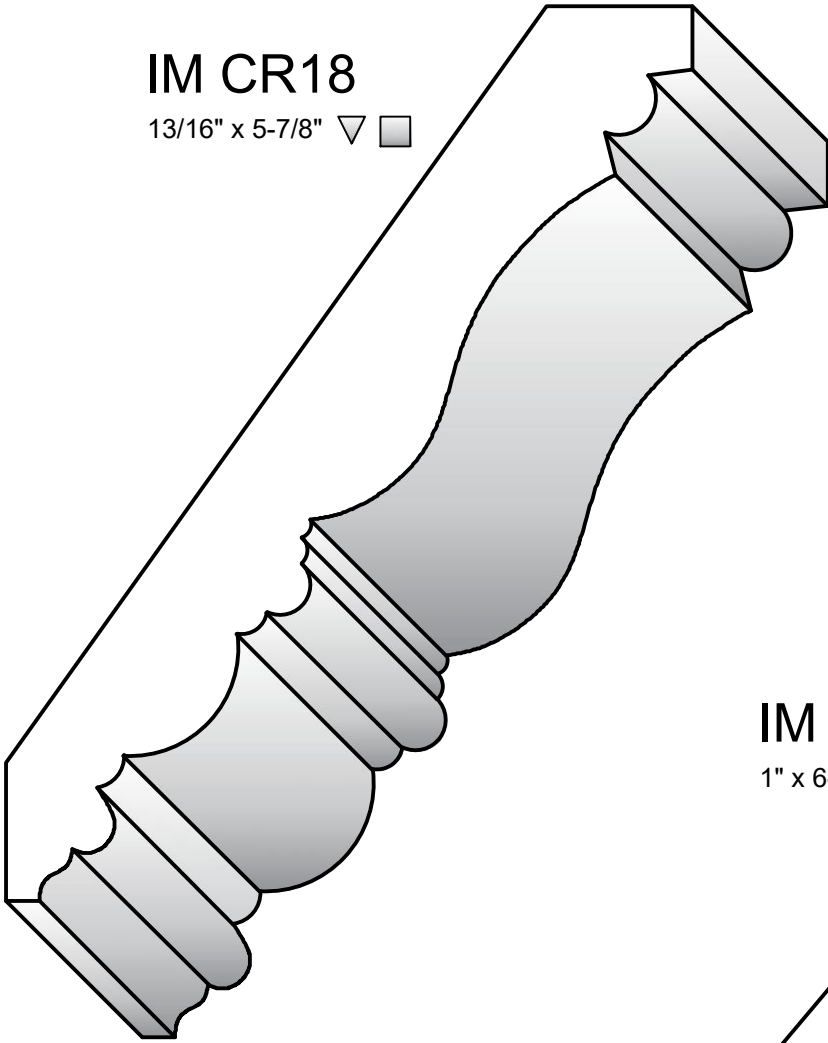
3/4" x 3-1/2" ▽



CROWNS

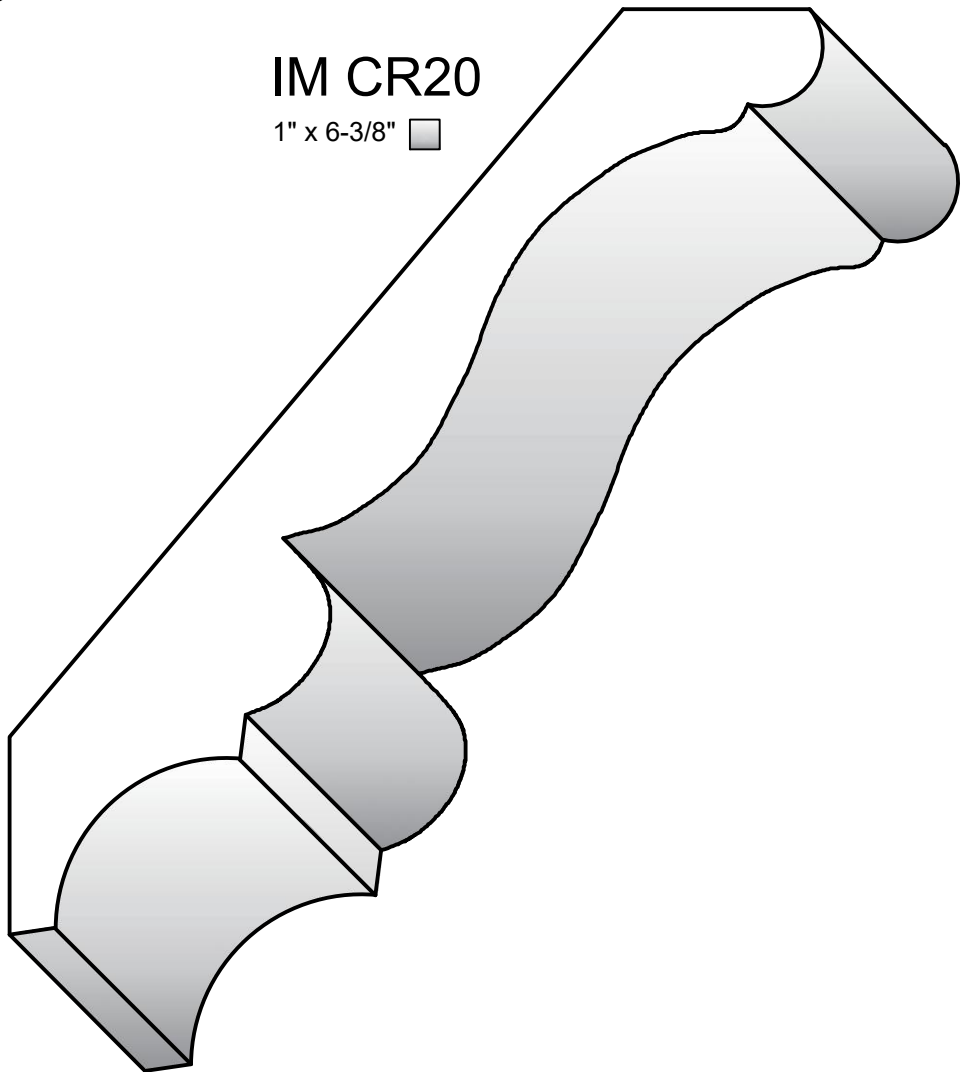
IM CR18

13/16" x 5-7/8" ▽ □




IM CR20

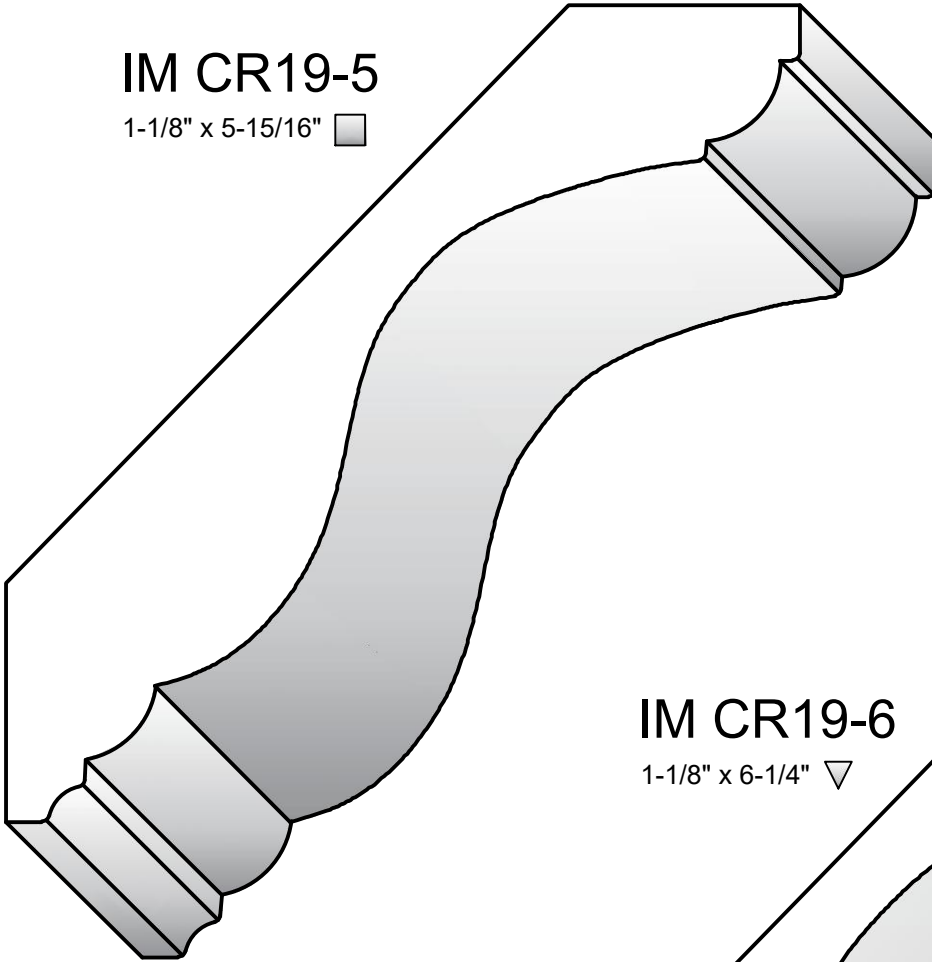
1" x 6-3/8" □




CROWNS

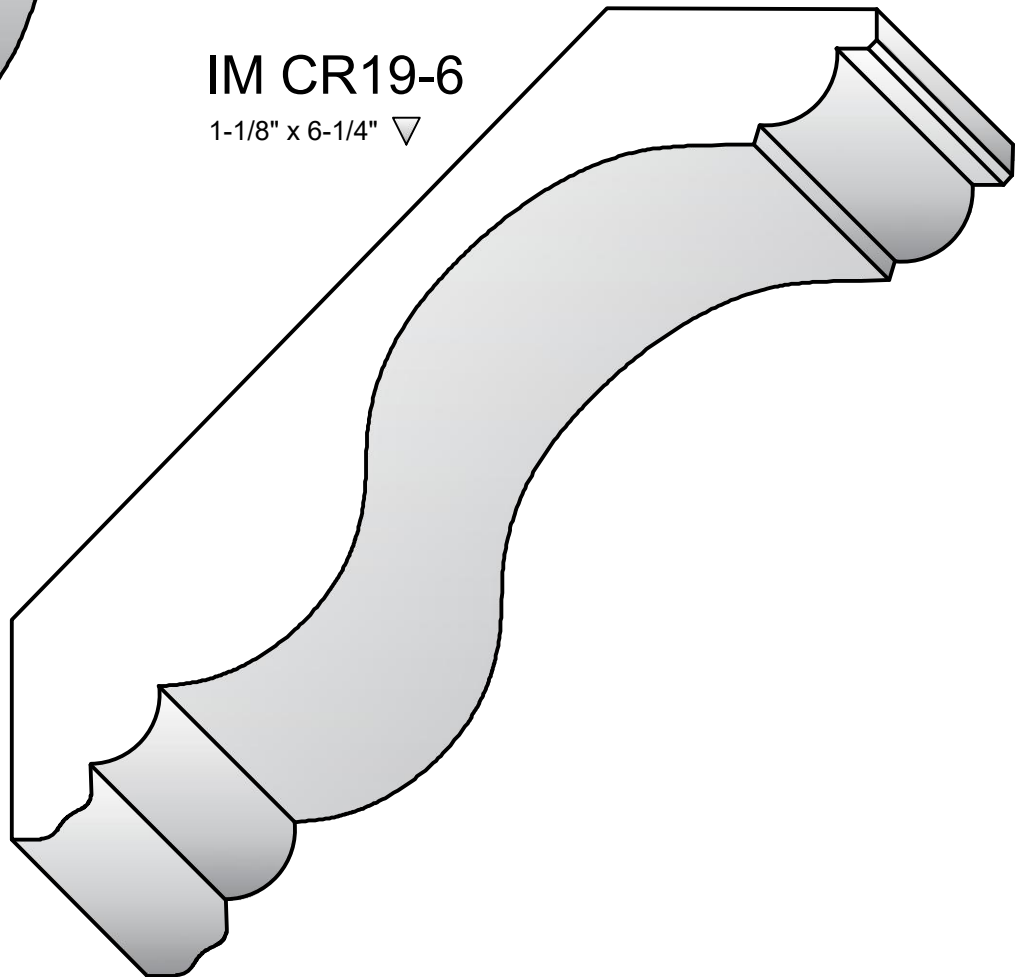
IM CR19-5

1-1/8" x 5-15/16" 



IM CR19-6

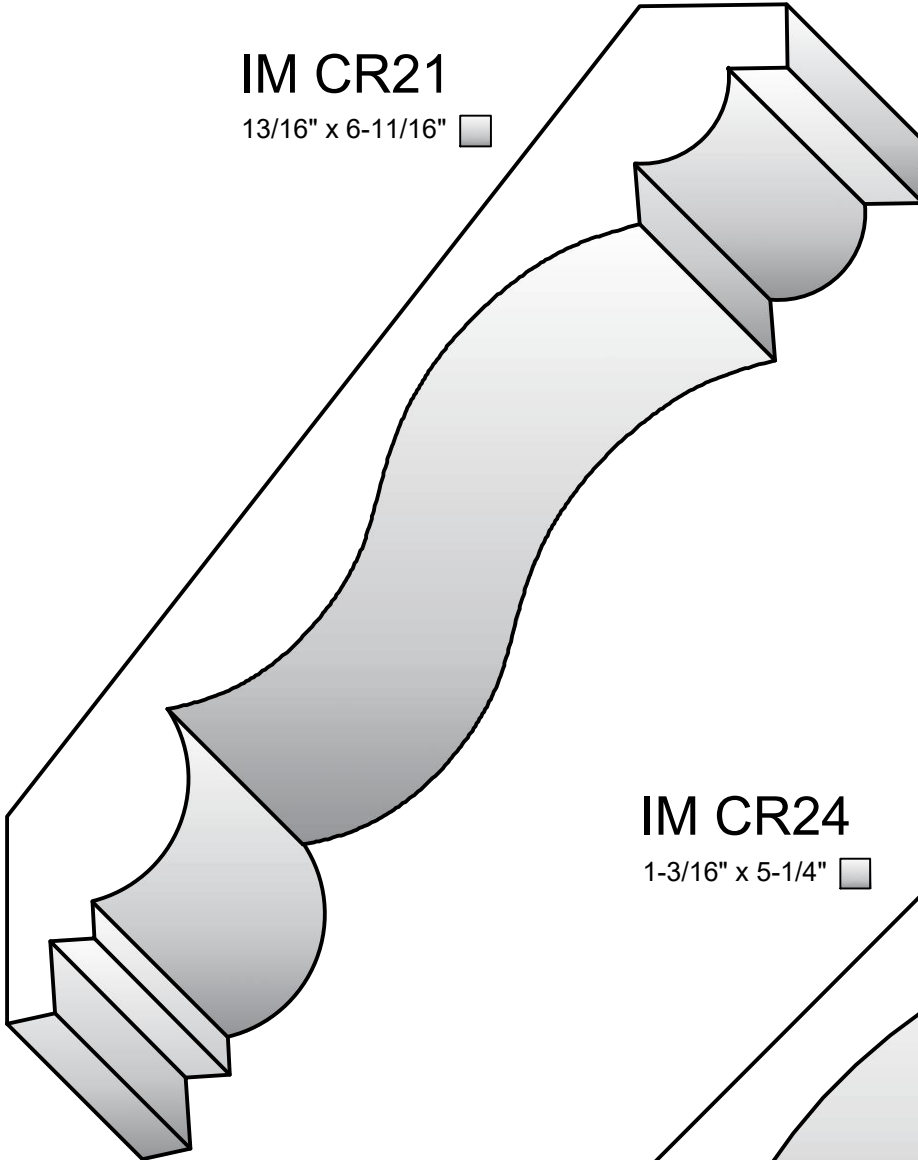
1-1/8" x 6-1/4" 



CROWNS

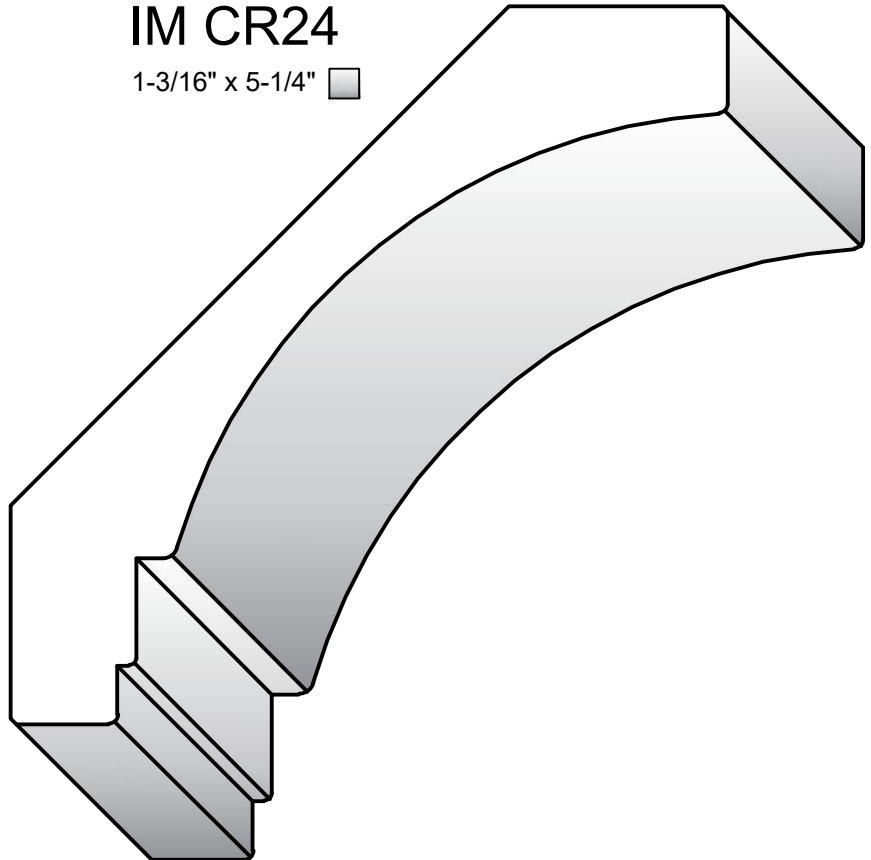
IM CR21

13/16" x 6-11/16"




IM CR24

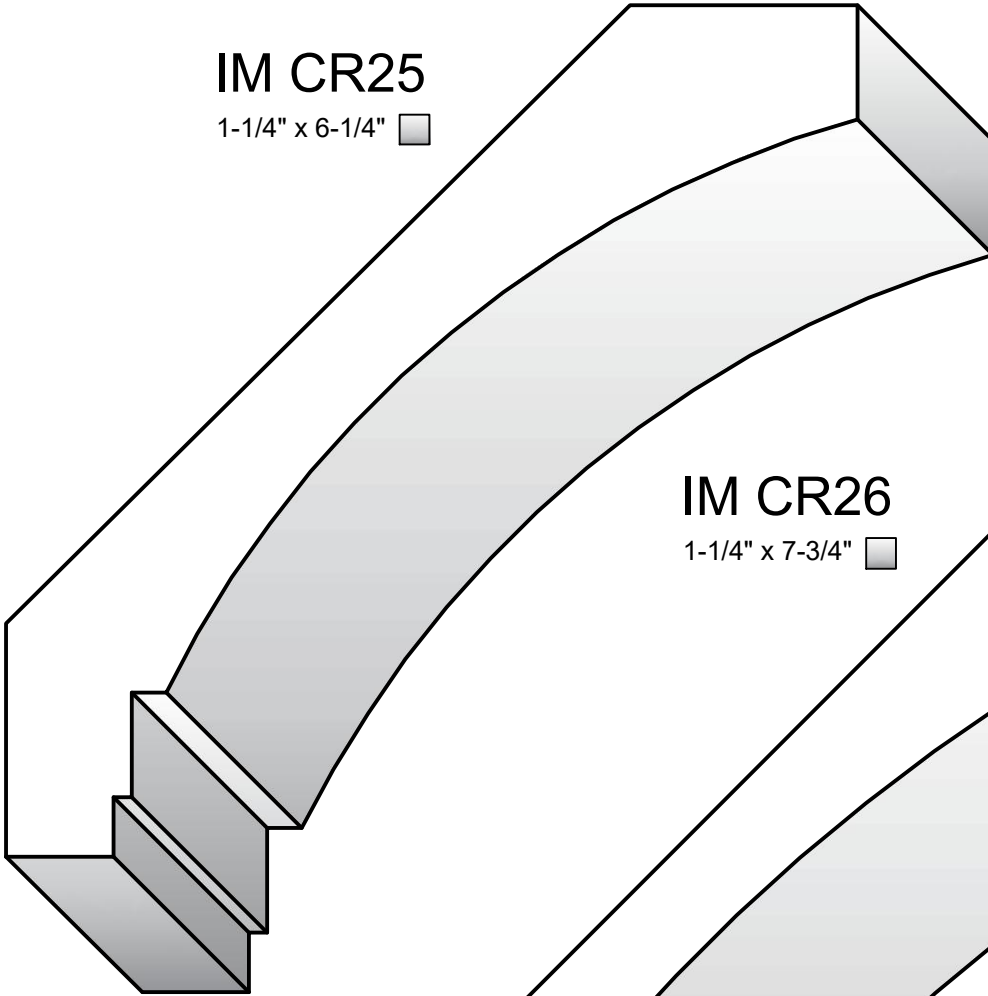
1-3/16" x 5-1/4"




CROWNS

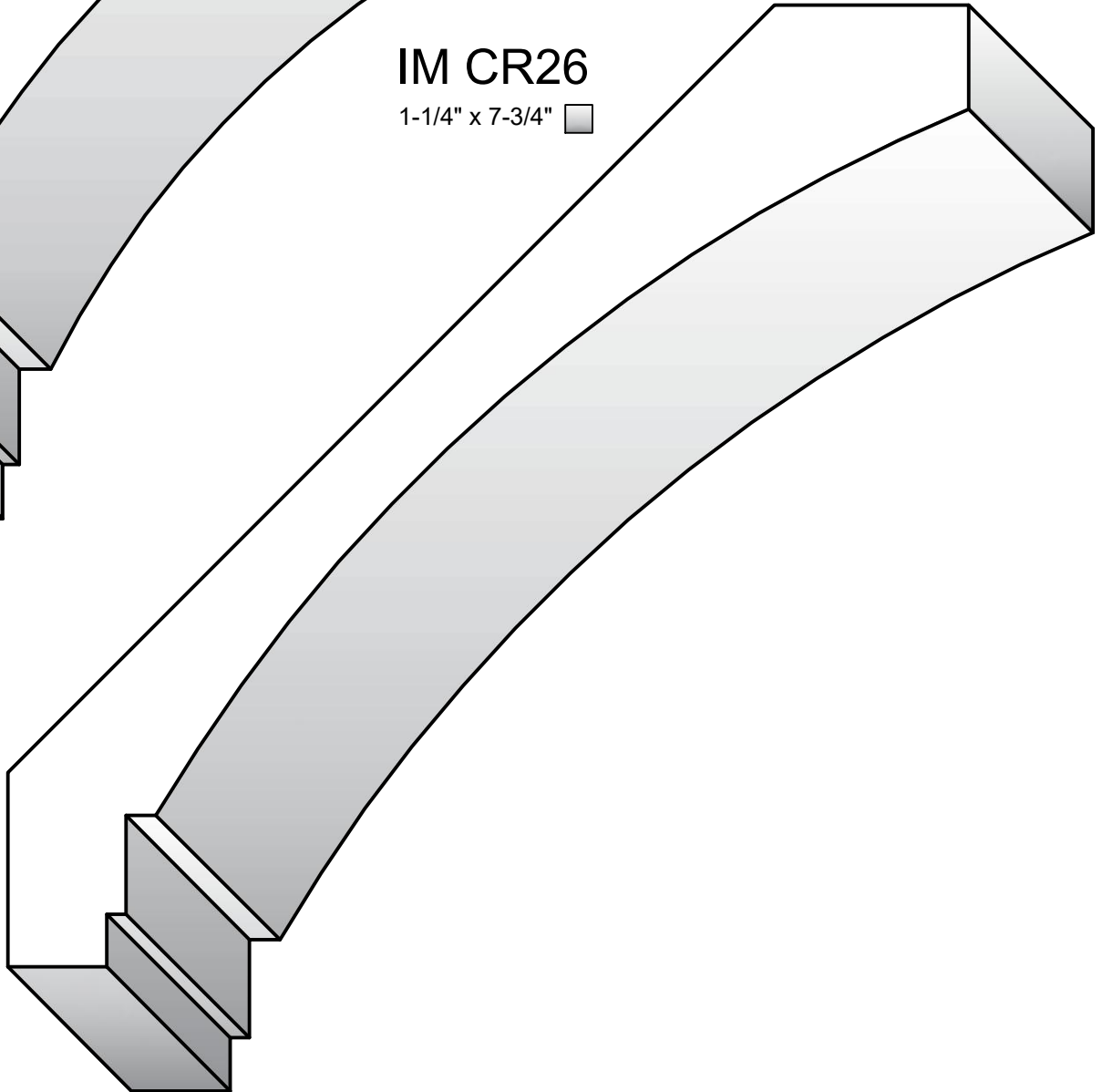
IM CR25

1-1/4" x 6-1/4" 




IM CR26

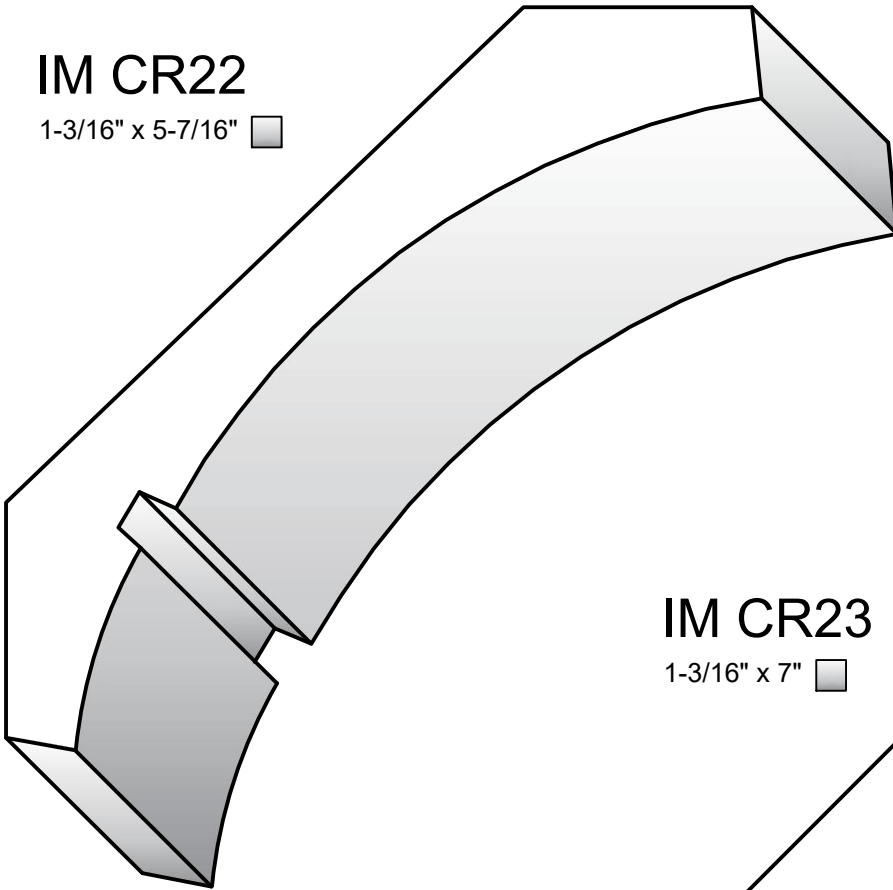
1-1/4" x 7-3/4" 




CROWNS

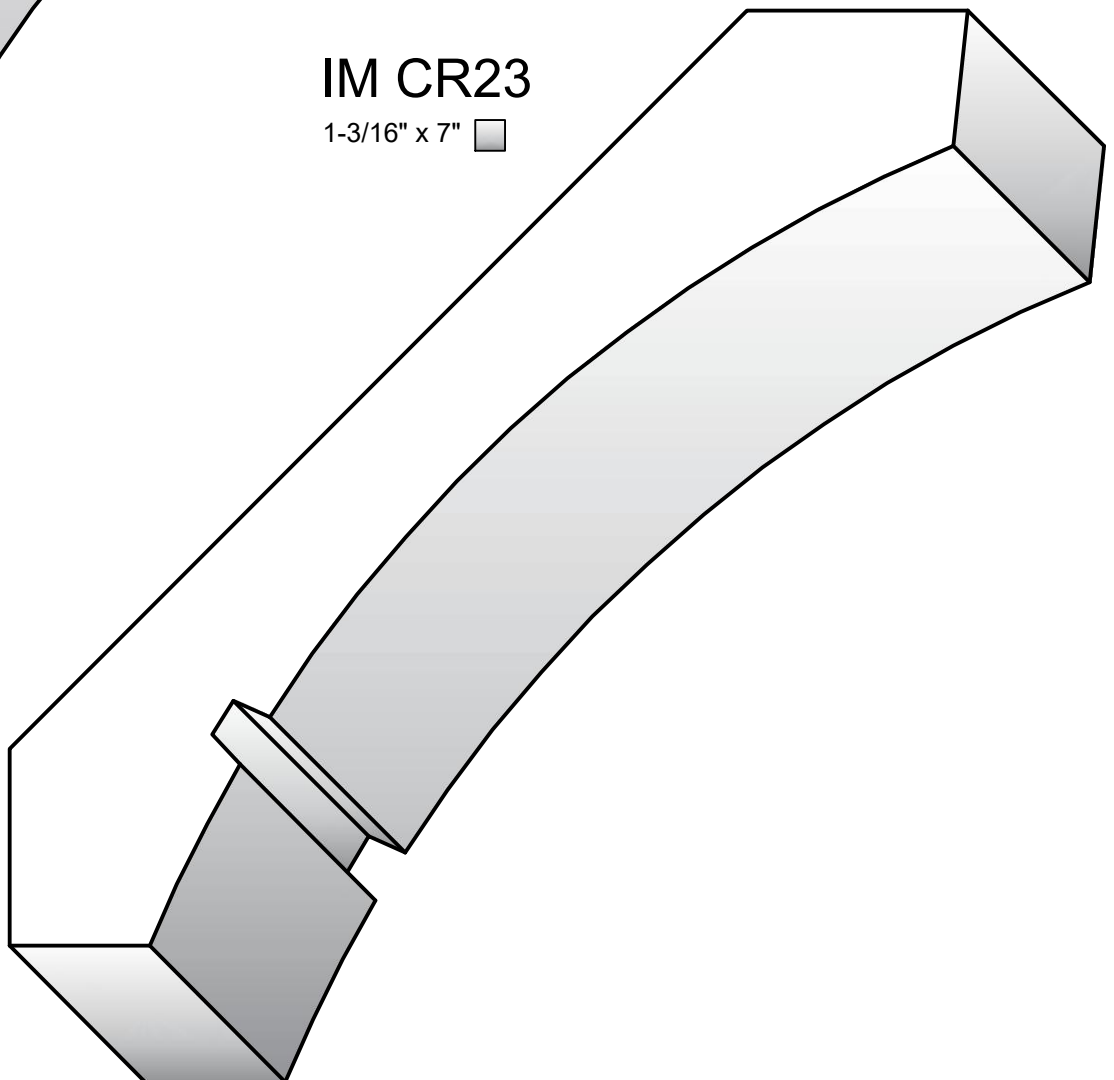
IM CR22

1-3/16" x 5-7/16" 



IM CR23

1-3/16" x 7" 



CROWN HEIGHT & PROJECTIONS

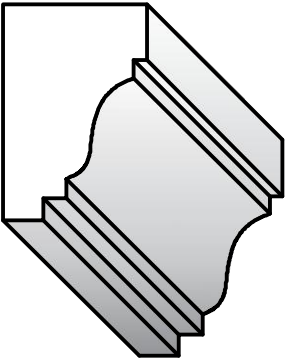


PROFILE	HEIGHT	PROJECTION	PROFILE	HEIGHT	PROJECTION
IM CR01	2"	1-1/2"	IM CR15-7	5-7/16"	5-5/8"
IM CR02	2"	1-13/16"	IM CR16-3	2-7/16"	2-1/2"
IM CR03	2-11/16"	2-1/2"	IM CR16-5	3-13/16"	3-15/16"
IM CR04	2-11/16"	2-1/4"	IM CR16-7	5-1/4"	5-1/8"
IM CR05	2-11/16"	2-1/2"	IM CR17	4-3/8"	3-9/16"
IM CR06	3-1/4"	2-11/16"	IM CR18	4-13/16"	3"
IM CR07	3-9/16"	2-7/16"	IM CR19-5	4-1/4"	4-3/16"
IM CR08	3-5/16"	3"	IM CR19-6	4-5/8"	4-1/2"
IM CR09	3-11/16"	2-7/16"	IM CR20	4-13/16"	4-3/16"
IM CR10	3-1/2"	2-7/8"	IM CR21	4-11/16"	4-11/16"
IM CR11	3-1/4"	3-1/4"	IM CR22	3-7/8"	3-15/16"
IM CR12	3-5/8"	3"	IM CR23	4-7/8"	5"
IM CR13	4-3/8"	3-3/8"	IM CR24	3-3/4"	3-11/16"
IM CR14	4-1/8"	3-5/16"	IM CR25	4-7/16"	4-7/16"
IM CR15-5	3-3/4"	3-7/8"	IM CR26	5-1/2"	5-1/2"

SOLID CROWNS

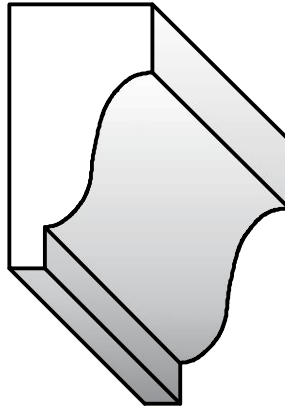
IM SC01

3/4" x 1-1/8" ▽



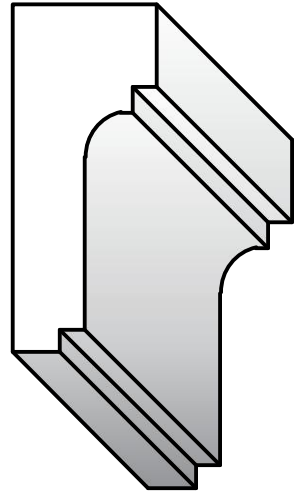
IM SC02

3/4" x 1-3/8" ▽



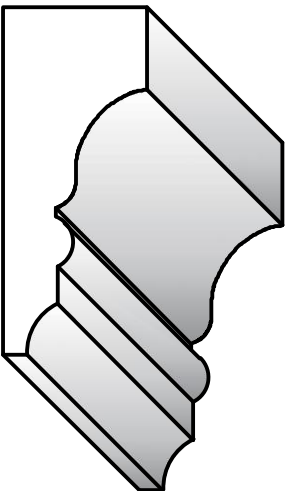
IM SC03

3/4" x 1-13/16" ▽



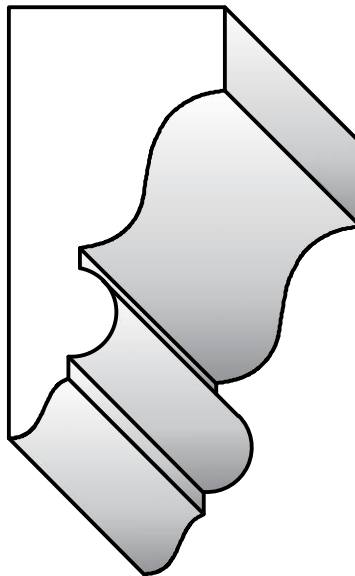
IM SC04

3/4" x 1-13/16" ▽



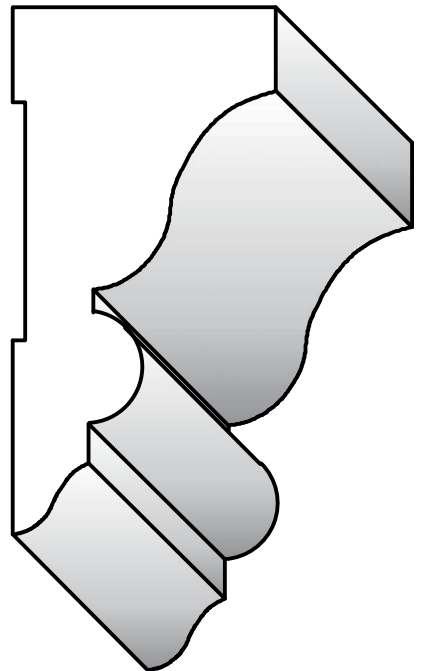
IM SC05

1-1/8" x 2-1/4" ▽ ●

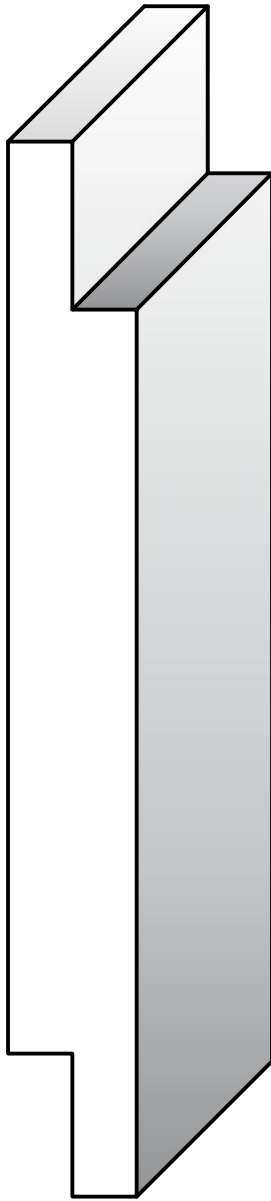


IM SC06



1-3/8" x 2-3/4" ▽ ●



SHIPLAPS





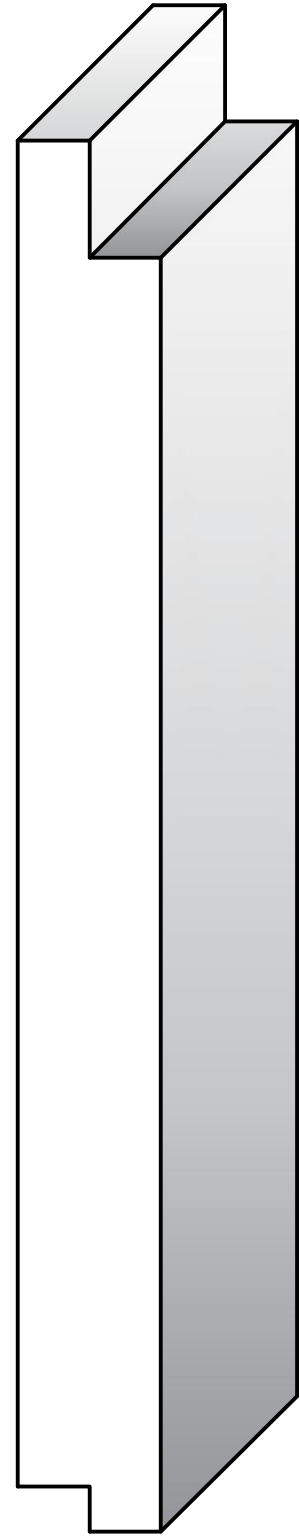
IM SL01

3/4" x 5-1/2"  
1/8" REVEAL





IM SL02

3/4" x 7-1/4"  
1/8" REVEAL



IM SL02-3/8

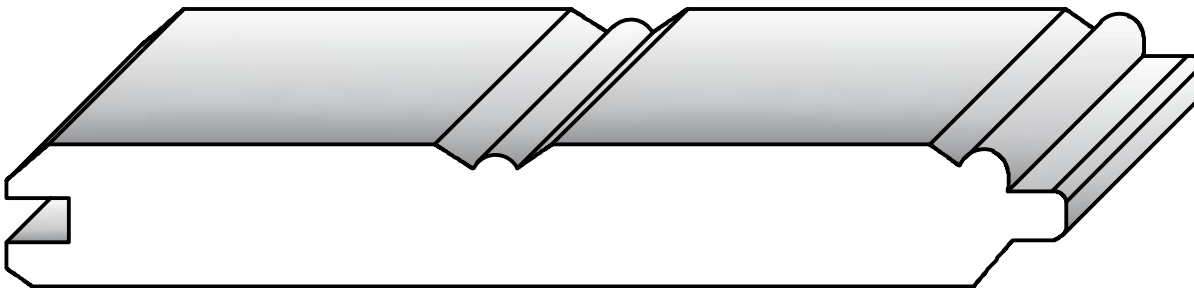
3/4" x 7-1/4"  
3/8" REVEAL

TONGUE & GROOVES



IM VG01

3/4" x 5-1/2"



GS ECB6

3/4" x 5-1/2"



IM VG02

3/4" x 7-1/4"

SHEETS GOODS:

BIRCH SHEETS:

- 3/4 x 4 x 8 FURNITURE GRADE
- 3/4 x 4 x 8 SHOP GRADE

MDF SHEETS:

- 1/4 x 4 x 8 ULTRALITE
- 1/2 x 4 x 8 ULTRALITE
- 3/4 x 4 x 8 ULTRALITE
- 3/4 x 4 x 8 LIGHTWEIGHT
- 3/4 x 4 x 10 ULTRALIGHT

CDX SHEETS:

- 1/2 x 4 x 8 GRAY STAMPED PINE
- 5/8 x 4 x 8 GRAY STAMPED PINE
- 3/4 x 4 x 8 GRAY STAMPED PINE

MAPLE, RED OAK, WHITE OAK,
CHERRY, AND MORE MATERIALS
AVAILABLE UPON REQUEST

MORE SIZES OF ALL SHEETS
AVAILABLE UPON REQUEST



3/4" S4S:

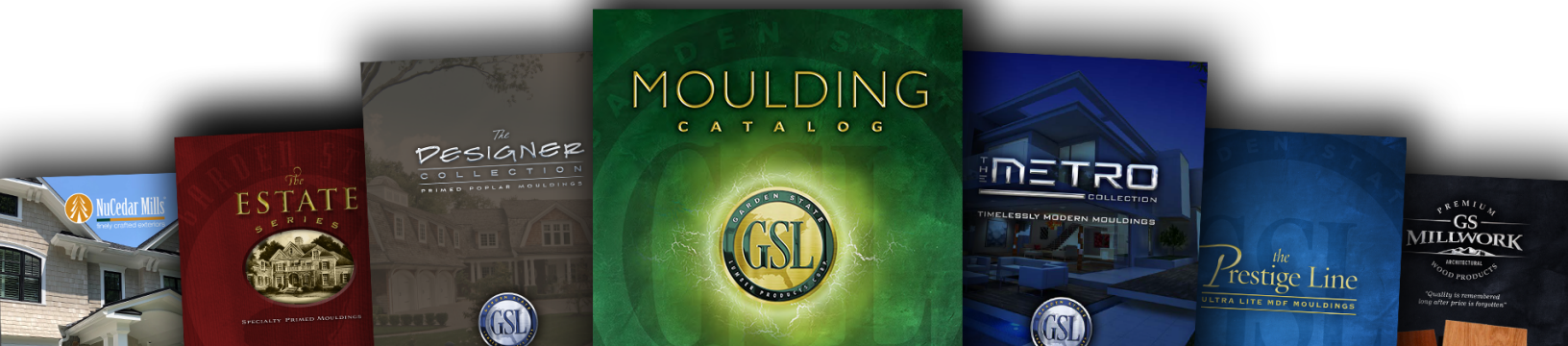
NOMINAL SIZE	1 x 3	1 x 4	1 x 6	1 x 8	1 x 10	1 x 12
ACTUAL SIZE	3/4 x 2-1/2	3/4 x 3-1/2	3/4 x 5-1/2	3/4 x 7-1/4	3/4 x 9-1/4	3/4 x 11-1/4
SPECIES	▽ □ ○	▽ □ ○	▽ □ ○	▽ □ ○	▽ □ ○	▽ □ ○
OTHER SIZES AND MATERIALS AVAILABLE UPON REQUEST						

1/2" S4S:

NOMINAL SIZE	1/2 x 2	1/2 x 3	1/2 x 4	1/2 x 6	1/2 x 8
ACTUAL SIZE	1/2 x 1-1/2	1/2 x 2-1/2	1/2 x 3-1/2	1/2 x 5-1/2	1/2 x 7-1/4
SPECIES	○	○	○	○	○
OTHER SIZES AND MATERIALS AVAILABLE UPON REQUEST					

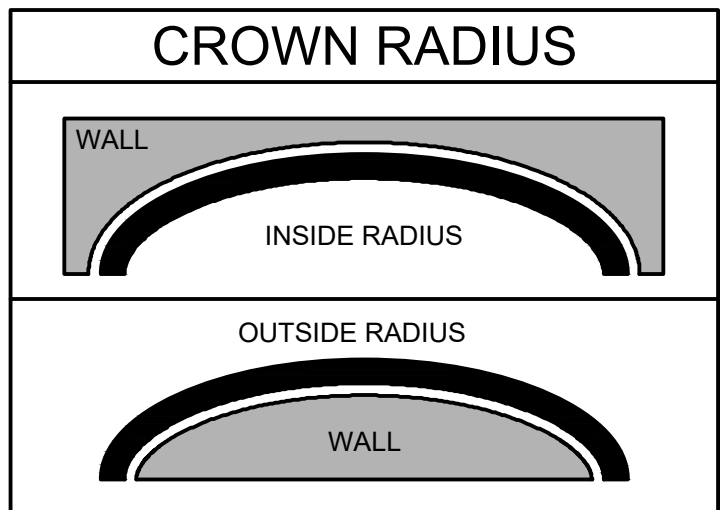
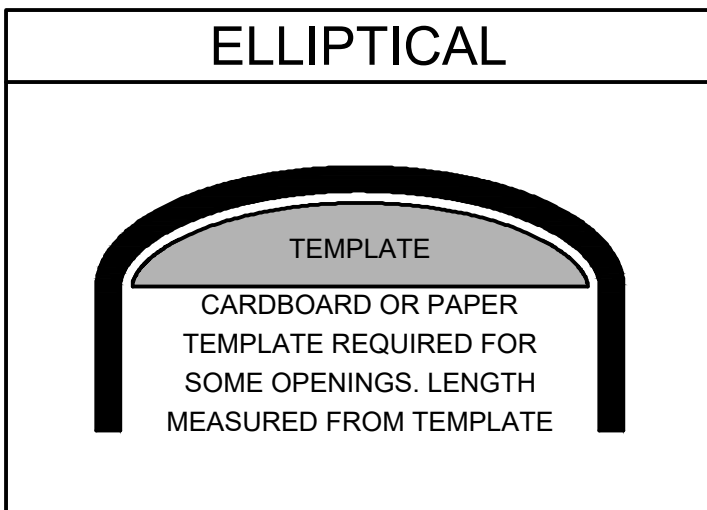
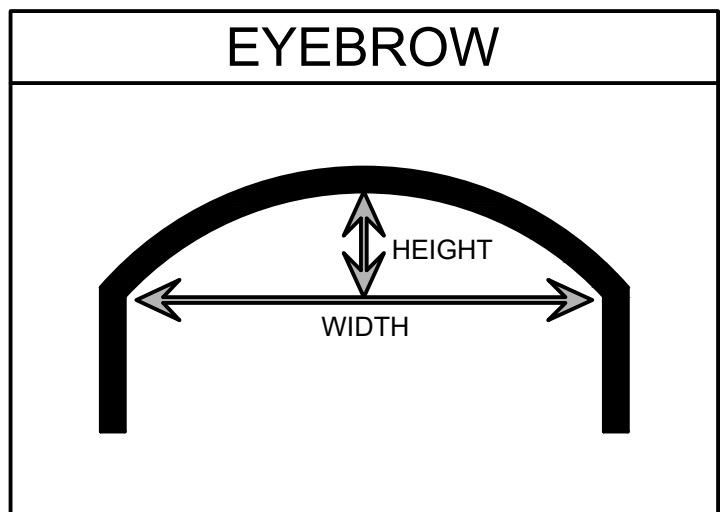
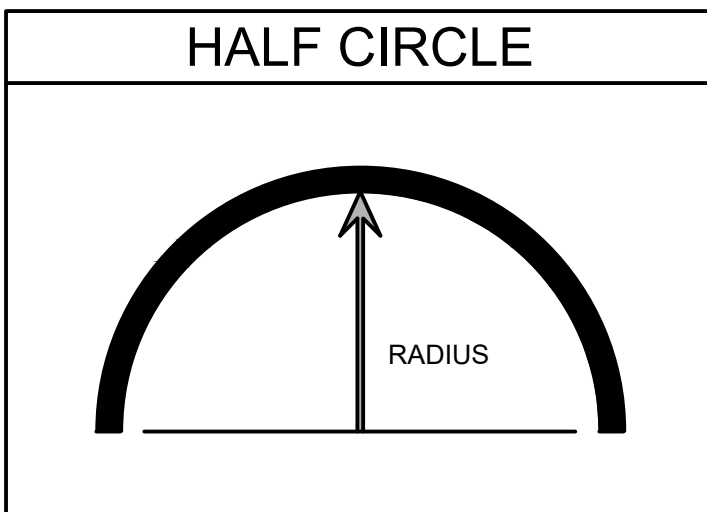
INNOVATION MILLWORK DISTRIBUTES ALL GARDEN STATE LUMBER MOULDING AND MILLWORK PRODUCTS. LARGE QUANTITIES OF MATERIAL ARE STOCKED FOR QUICK AVAILABILITY. 1-2 DAY LEAD TIME ON MOST NON-STOCK PRODUCTS.

VISIT GARDENSTATELUMBER.COM TO VIEW THE COMPLETE PRODUCT LINE.



INNOVATION MILLWORK CAN PRODUCE FLEXIBLE MOULDING TO MATCH ANY PROFILE SHOWN IN THIS CATALOG AND MORE UPON REQUEST.

CONTACT US FOR ASSISTANCE WITH MEASUREMENTS, TEMPLATES, AND ORDERING FLEXIBLE MOULDING.





Dependable Quality. Exceptional Service. Reliable Availability.



Premium Moulding Delivered Right

Backed by over 50 years of industry experience



Quality You Can Trust

High quality moulding you can stand behind



Inventory That Keeps You Moving

Strong in stock availability



Fast, Reliable Delivery

Same-day and next-day options available



Stocked and Ready to Serve

New material arriving daily

Showroom and 13,000 square foot warehouse
coming soon, April 2026

INNOVATION MILLWORK PRODUCTS IS COMMITTED TO PROVIDING HIGH QUALITY PRODUCTS, DEPENDABLE AVAILABILITY, AND PERSONABLE SERVICE, WHILE BUILDING LASTING RELATIONSHIPS ROOTED IN TRUST AND ACCOUNTABILITY.



631-378-3400



INNOVATIONMILLWORK.NET



INNOVATIONMILLWORKPRODUCTS



INNOVATIONMILLWORK